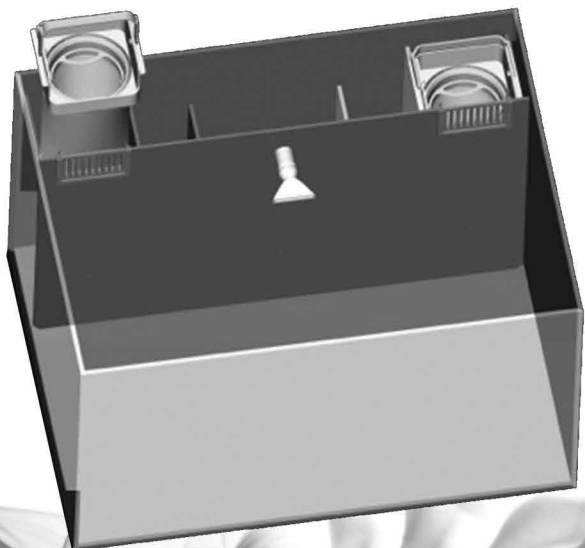


# COBALT

AQUATICS



AQUARIUM AND INTEGRATED  
FILTRATION SYSTEM

COMPLETE WITH TANK,  
FILTRATION, PUMP

ACUARIO Y SISTEMA DE  
FILTRACIÓN INTEGRADO

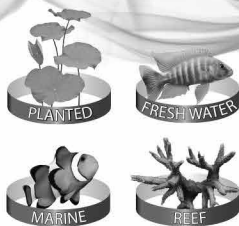
COMPLETO CON TANQUE,  
FILTRACIÓN, BOMBA

AQUARIUM ET SYSTÈME DE  
FILTRATION INTÉGRÉ

COMPLÈT AVEC RÉSERVOIR,  
FILTRATION, POMPE

# *C-VUE*

*all-in-one aquarium*



[www.cobaltaquatics.com](http://www.cobaltaquatics.com)

Customer Service: (803) 591-9500

# **INTRODUCTION**

Congratulations on your purchase of a Cobalt C-VUE all-in-one aquarium! C-VUE all-in-one aquariums are the ultimate base platform that beginning hobbyists and hardcore fishgeeks alike can use to create any aquarium style they desire, from discus, to dwarf cichlids, reef tanks or even a planted aquarium. Each aquarium includes an integrated filter system hidden behind a back wall to keep bulky equipment out of sight. Included no-by-pass 200 micron socks will keep the water crystal clear. Powerful pumps with up to 8x turnover and adjustable output nozzles ensure excellent circulation to bring clean, filtered water to all areas of the tank. C-VUE aquariums also feature crystal clear, low iron glass on the front and side panels, with beveled edges and mitered corners for an impressive, clean look and uninhibited viewing. For ultimate flexibility, the bottom and back panels are made from non-tempered glass that can be drilled to add bulkheads and plumbing, allowing you to further customize the aquarium as you grow in the hobby (Cobalt recommends having your C-VUE drilled by a professional. Cobalt does not warranty any damage caused by drilling or modifying your aquarium). Whatever you can dream up, any of the C-VUE family of aquariums (18, 26, 40, & 45 gallons) are the ideal platform for your ultimate aquarium.

## **FEATURES**

- Built-in overflow
- Integrated filtration design
- 200 micron filter sock(s)
- Return pump(s) included with adjustable outputs
- All 3 viewing panels are crystal clear, low-iron glass
- Mitered corners and beveled edges
- Drillable back and bottom panels
- Optional seal-top glass lid
- Suitable for saltwater or freshwater aquariums

## ***WARRANTY REGISTRATION***

Thank you for your purchase of a Cobalt C-VUE Aquarium. Your C-VUE comes with a limited 90 day warranty. Registering your purchase with Cobalt will extend your warranty to one full year from date of purchase.

You can easily register online per below, or fill out the paper form and mail to Cobalt.

### ***COBALT AQUATICS ONLINE REGISTRATION***

<https://cobaltaquatics.com/registration>



# **WARRANTY REGISTRATION**

Please Fill Out Completely and Return within 14 days from date of purchase. *(Please Print)*

Customer Name: \_\_\_\_\_

Address: \_\_\_\_\_

City: \_\_\_\_\_

State: \_\_\_\_\_ Zip: \_\_\_\_\_

Phone#: \_\_\_\_\_

Email: \_\_\_\_\_

Yes, I would like to receive emails on Cobalt News,  
New Products, Sales, Rebates

No, I do not want to receive emails on Cobalt News

Date of Purchase: \_\_\_\_\_ Model: \_\_\_\_\_

Dealer Purchased From: \_\_\_\_\_

*Please mail warranty registration and proof of purchase to:*

Cobalt International  
Attn: Warranty Dept.—CVUE  
624 Wilkerson Rd  
Rock Hill, South Carolina 29730

Complete this warranty card and return to Cobalt to extend your warranty from 90 (ninety) days to 1 (one) year from date of purchase. Completed warranty cards can also be submitted electronically with proof of purchase to [info1@cobaltinternational.com](mailto:info1@cobaltinternational.com)

# **WARRANTY**

Cobalt International, Inc. will warrant this product to be free of manufacturer defects for a period of 90 (ninety) days. Cobalt International, Inc. will extend that warranty to a full 1 (one) year period upon receipt of a completed warranty registration card with corresponding proof of purchase, or through online warranty registration. Cobalt will repair or replace, at its option, any C-VUE aquarium or component which is deemed defective in workmanship or materials. All warranty claims MUST be submitted with a valid proof of purchase. This warranty does not cover damage resulting from modifications, misuse, negligence, improper handling and installation, or incidental and/or consequential damages resulting from the use of this product. Any modification, including but not limited to drilling, changing of pumps or hoses to non-stock components, etc. will render this warranty void. Incidental and/or consequential damages may include (but are not limited to): if the aquarium is moved when it is not completely empty, if the sealant at the inside edges or corners of the aquarium is removed, sliced, or cut, chips or damages to the aquarium due to impact, negligence or mishandling, or if the aquarium is used for other than its intended purpose. Cobalt International is not responsible for and warranty does not cover livestock loss, personal injury, property loss, or damage (direct, incidental, or consequential) resulting from the use of this product. This warranty does not cover damages or failures caused from placing this aquarium on a stand not commercially manufactured for use with an aquarium of its size and weight or on a stand that does not provide a flat, level surface fully capable of supporting the bottom of the aquarium. Use of a non-Cobalt approved stand or cabinetry will void your warranty. Use of this product indicates acknowledgement and acceptance of these terms. This warranty gives you specific legal rights. You may also have other legal rights that vary from state to state\*.

\*Because some states do not allow the exclusion of incidental or consequential damages

Questions or missing parts:

Call 803-591-9500 or email [info1@cobaltinternational.com](mailto:info1@cobaltinternational.com)

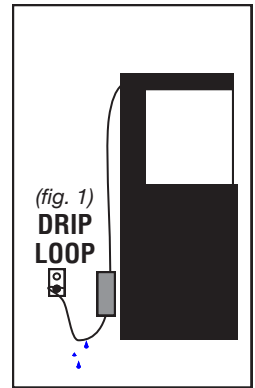
# IMPORTANT SAFETY INSTRUCTIONS

**WARNING:** To guard against injury, basic safety precautions should be observed, including the following.

## READ AND FOLLOW ALL SAFETY INSTRUCTIONS

**DANGER:** To avoid possible electric shock, special care should be taken since water is employed in the use of aquarium equipment. For each of the following situations, do not attempt repairs by yourself; return the appliance to an authorized service facility for service or discard the appliance:

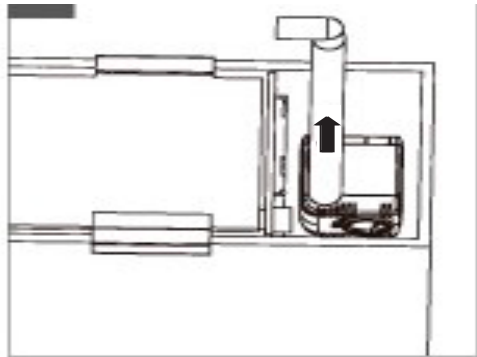
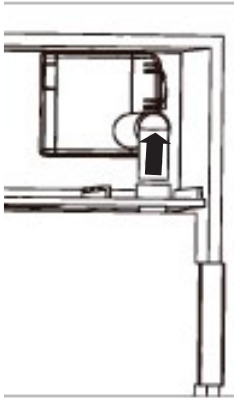
- 1 - If the appliance shows any signs of abnormal water leakage, immediately unplug from the power source.
- 2 - Carefully examine the appliance after installation. It should not be plugged in if there is water on parts not intended to be wet.
- 3 - Do not operate any appliance if it has a damaged cord or plug, or if it is malfunctioning or has been dropped or damaged in any manner.
- 4 - To avoid the possibility of the appliance plug or receptacle getting wet, position aquarium stand and tank to one side of a wall mounted receptacle to prevent water from dripping onto the receptacle or plug. A "drip loop", shown in the figure, should be arranged by the user for each cord connecting an aquarium appliance to a receptacle. The "drip loop" is that part of the cord below the level of the receptacle or the connector, if an extension cord is used, to prevent water travelling along the cord and coming in contact with the receptacle. If the plug or receptacle does get wet, DON'T unplug the cord. Disconnect the fuse or circuit breaker that supplies power to the appliance. Then, unplug and examine for presence of water in the receptacle.
- 5 - Close supervision is necessary when any appliance is used by or near children.
- 6 - To avoid injury, do not contact moving parts or hot parts such as heaters, reflectors, lamp bulbs, and the like.
- 7 - Always unplug an appliance from an outlet when not in use, before putting on or taking off parts, and before cleaning. Never yank cord to pull plug from outlet. Grasp the plug and pull to disconnect.
- 8 - Do not use an appliance for other than intended use. The use of attachments not recommended or sold by the appliance manufacturer may cause an unsafe condition.
- 9 - Do not install or store the appliance where it will be exposed to the weather or to temperatures below freezing.
- 10 - Make sure an appliance mounted on a tank is securely installed before operating it.
- 11 - Read and observe all the important notices on the appliance.
- 12 - If an extension cord is necessary, a cord with a proper rating should be used. A cord rated for less amperes or watts than the appliance rating may overheat. Care should be taken to arrange the cord so that it will not be tripped over or pulled.



**KEEP THESE INSTRUCTIONS**

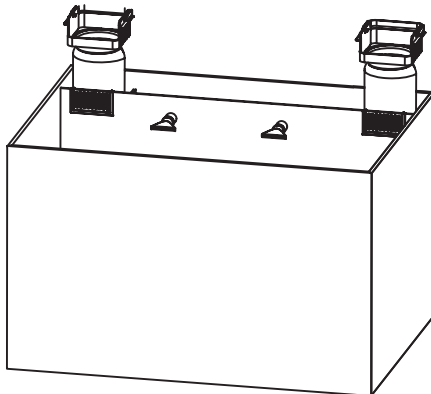
# ***PUMP REPLACEMENT OR MAINTENANCE***

1. Unplug pump from the power supply.
2. Disconnect the 90-degree elbow from the return.
3. Pull the pump upward to remove from the tank.
4. To maintain – remove the front cage from the pump. Unscrew the retaining collar underneath and pull impeller straight out. Clean with warm water and a soft bristle brush. If hard buildup is present, vinegar can be used to aid in cleaning.
5. To replace - remove the tubing from the existing pump and attach to the new unit.
6. Return the pump to the chamber and re-attach the elbow to the return.

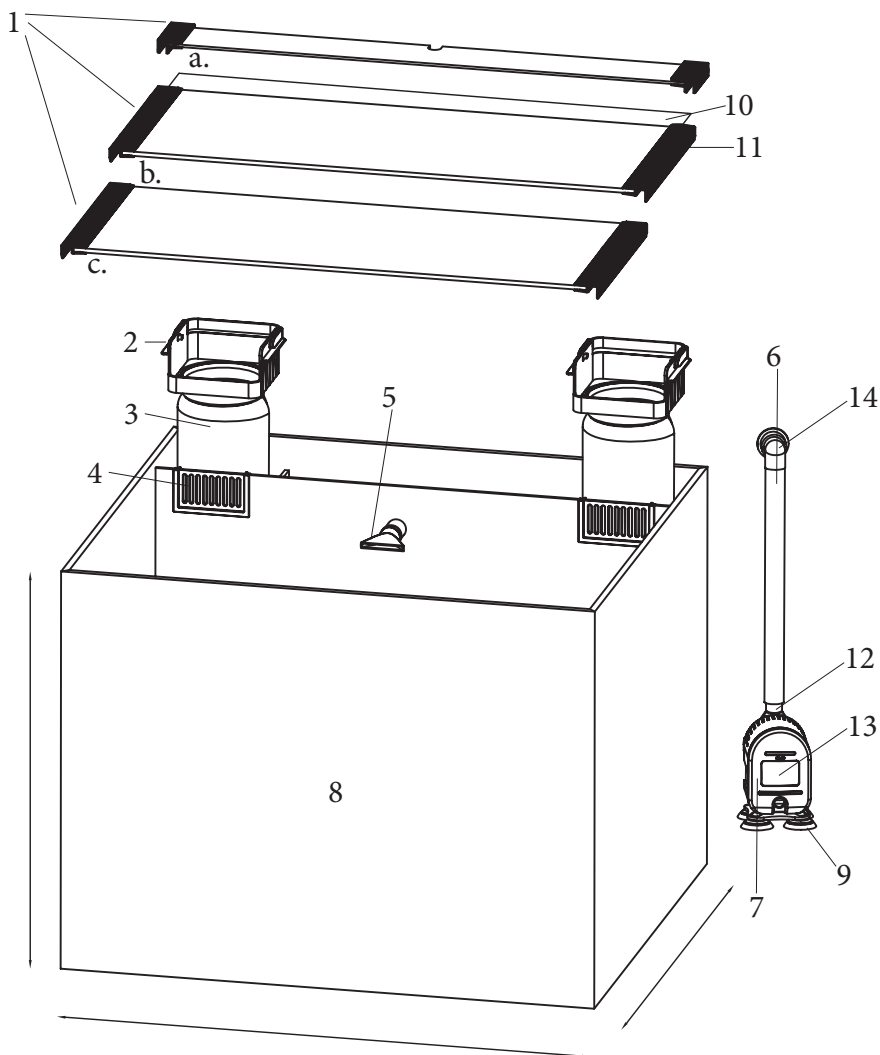


# ***MAINTAINING YOUR C-VUE AQUARIUM***

1. All maintenance should be done with all equipment unplugged.
2. Regular maintenance of the tank's hardware and replacement/cleaning of the filter media are essential to keeping your C-VUE's hardware working well for the long term.
3. Routine replacement of the filter socks included with your C-VUE aquarium will help keep the water clear and remove debris filtered out by the sock. It is highly recommended to have at least four (4) extra socks per sock slot available so that a new, clean, sock will be available at all times while dirty socks are being cleaned.
  - a. To replace a filter sock, carefully pull the sock assembly out of the tank using the handle on the filter basket.
  - b. Gently remove the soiled sock from the holder and replace with a clean one.
  - c. Insert the new sock back into the slot.
  - d. Soiled sock can be washed with a small amount of bleach and warm water. Rinse sock well after cleaning to remove any residue. NEVER use laundry detergent on your filter socks! This can damage the sock and your livestock.
4. If possible for your application, it is recommended that the rear filter and pump chambers be cleaned out regularly to avoid particulate matter build-up over time. Proper use and maintenance of the filter socks will prevent much of this. However, this is still good practice to maximize the lifespan of the tank hardware.





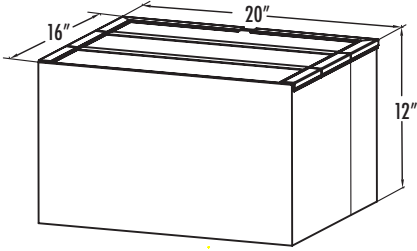


n°	Description	Parts Number				
		<b>CVUE 18</b>	<b>CVUE 26</b>	<b>CVUE 40</b>	<b>CVUE 45</b>	<b>CVUE 50</b>
01	a., b.,+ c. Glass seal-top lid	15110	15111	15112	15113	15114
02	Removable Sock Carrier	P0626	P0626	P0626	P0626	P0626
03	Filter Sock (200µ)	15106	15106	15106	15106	15106
04	Overflow Plate	-	-	-	-	-
05	Return Nozzle (2 pk)	P0633	P0633	P0633	P0633	P0633
06	Return Tube	Size: 1/2"	Size: 1/2"	Size: 1/2"	Size: 1/2"	Size: 1/2"
07	Return Pump (30013=165gph/30014=264gph)	30013	30014	30014x2	30014x2	30014x2
08	Low Iron Glass Aquarium					
09	Pump Replacement Suction Cups	P0629	P0629	P0629	P0629	P0629
10	Lid Hinge	P0630	P0638	P0639	P0640	P0642
11	Black Lid Trim	P0631	P0635	P0636	P0637	P0643
12	Pump Hose Barb (P0634)/Threaded Pump Hose Barb (P0632)	P0634	P0632	P0632	P0632	P0632
13	Pump Impeller	30013	30014	30014	30014	30014
14	Return Elbow	P0641	P0641	P0641	P0641	P0641

# SPECIFICATIONS

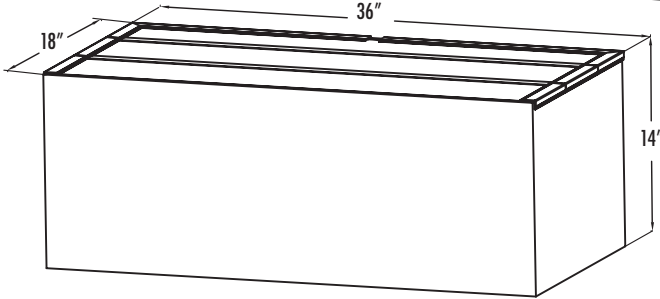
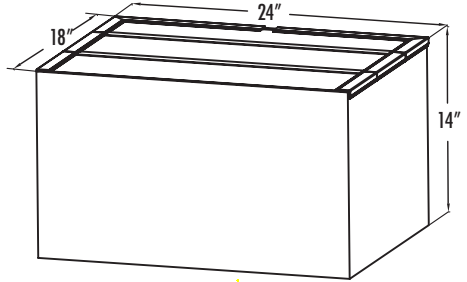
## C-VUE 18

L 16" x W 20" x H 13"  
408mm x 513mm x 330mm    Flow Rate  
165 GPH (750 l)



## C-VUE 26

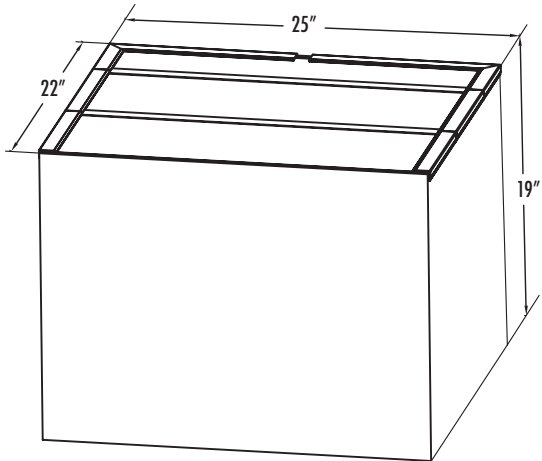
L 18" x W 24" x H 14"  
459mm x 615mm x 359mm    Flow Rate  
264 GPH (1000 l)



## C-VUE 40

L 18" x W 36" x H 14"  
459mm x 920mm x 359mm

Flow Rate  
528 GPH (2000 l)

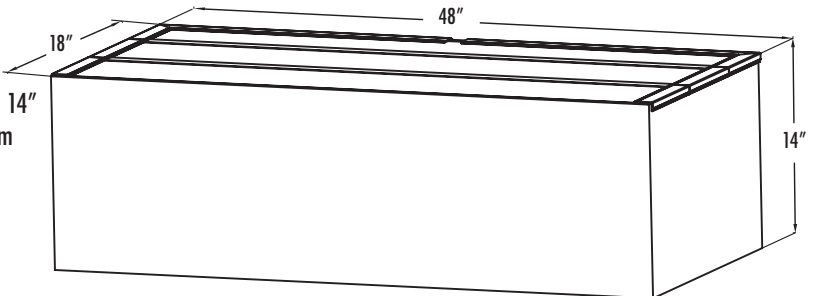


## C-VUE 45

L 22" x W 25" x H 19"  
562mm x 640mm x 486mm  
Flow Rate  
528 GPH (2000 l)

## C-VUE 50

L 18" x W 48" x H 14"  
457mm x 1219mm  
x 356mm  
Flow Rate  
528 GPH (2000 l)



# **HANDLING**

- NEVER attempt to move aquarium while filled with water
- Always lift aquarium from the bottom panel only. Do not lift from the side panels.
- Always set aquarium on an appropriate surface. Remember, water is very heavy. The average aquarium can weigh as much as 10lbs per gallon or more.
- NEVER allow the pump(s) on your C-Vue to run dry!  
Water levels will change in the back chambers only. It is extremely important to always keep your aquarium topped off or malfunction, damage, or injury can occur. Failure to maintain proper water levels will void your C-VUE warranty.
- Failure to follow proper handling as outlined in these instructions will void your C-VUE warranty.



Distributed By: Cobalt International  
624 Wilkerson Rd  
Rock Hill, South Carolina 29730  
803-591-9500

[www.cobaltaquatics.com](http://www.cobaltaquatics.com)