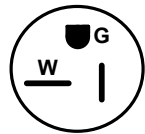
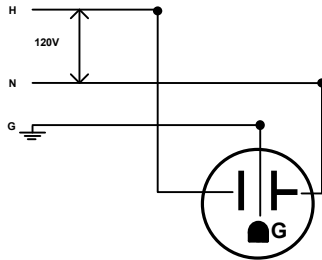


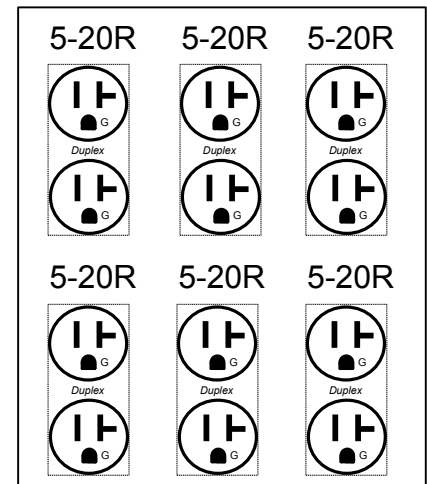
Input Cord
Line Cord 5-20P (6ft)



Wiring Diagram



Output Receptacle Panel



NOTES

1 This drawing is for illustration purposes only and is subject to change without notice. TIC is not responsible for any errors or omissions.

Drawn by
JH
DATE 07/19/16
Approved by
TT
DATE 07/21/16

TOSHIBA

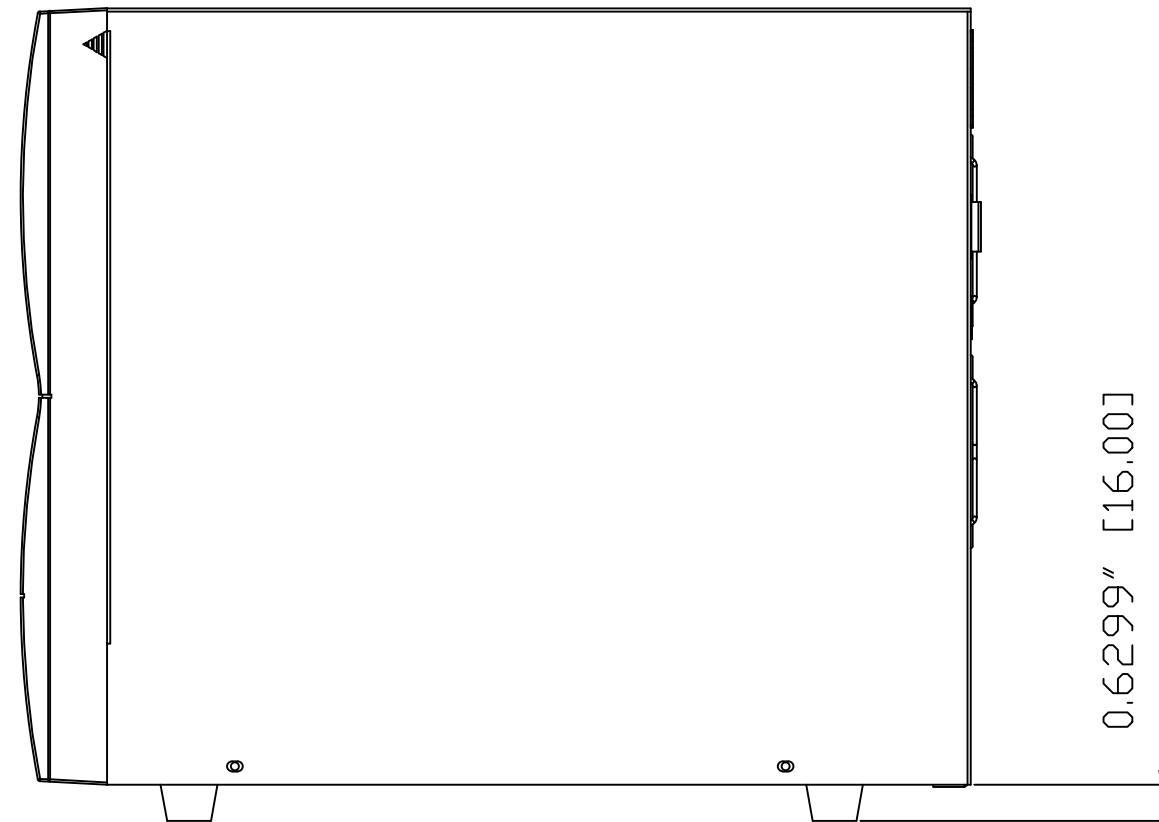
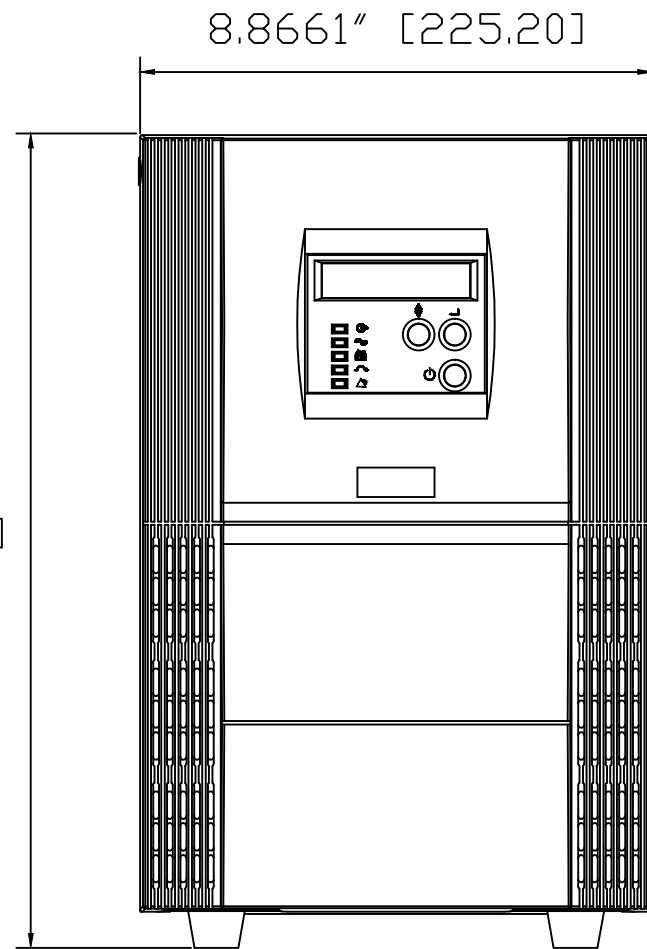
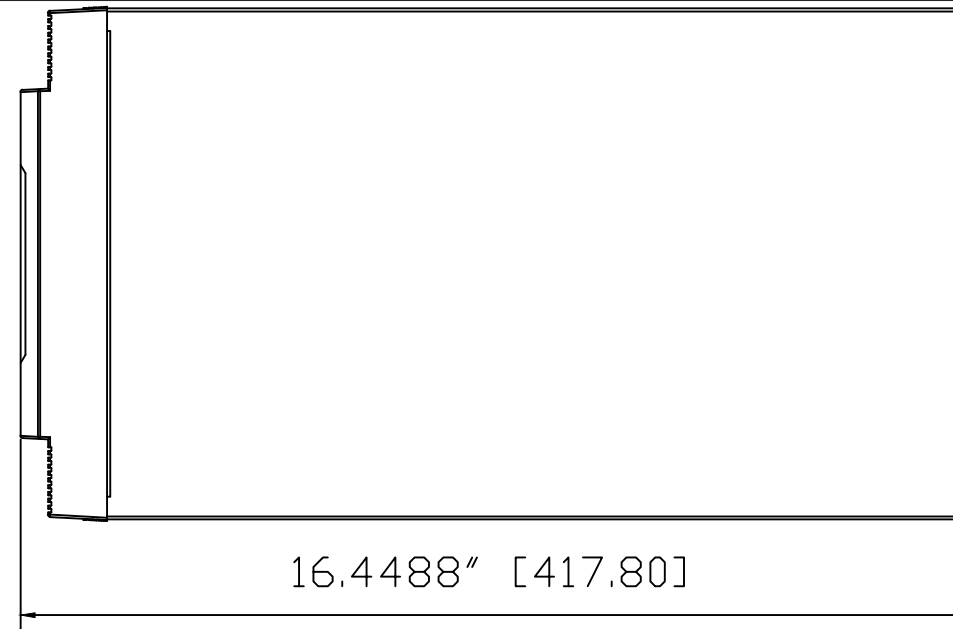
INTERNATIONAL CORPORATION
Houston Texas, USA

THIS MATERIAL IS THE EXCLUSIVE PROPERTY OF
TOSHIBA INTERNATIONAL CORPORATION AND SHALL NOT
BE REPRODUCED, USED, OR DISCLOSED TO OTHERS
UNLESS PRIOR WRITTEN AUTHORIZATION IS OBTAINED.

TITLE T1000 Series Tower
2.0 KVA Model 120V Input
120V Output

DRAWING NO.
T1S0A2000AXA

REV.
1.0



FOR QUOTE	Q0	DRAWN BY: MEF	DATE 6/02/16	THIS MATERIAL IS THE EXCLUSIVE PROPERTY OF TOSHIBA INTERNATIONAL CORPORATION AND SHALL NOT BE REPRODUCED, USED OR DISCLOSED TO OTHERS UNLESS PRIOR WRITTEN AUTHORIZATION IS OBTAINED.	TITLE: T1000 2kVA TOWER OUTLINE DRAWING	SCALE NTS	ORDER NO.
		CHECKED BY	DATE			DRAWING NO.	
		APPROVED BY	DATE				

TOSHIBA INTERNATIONAL CORPORATION
13131 WEST LITTLE YORK ROAD, HOUSTON, TX, 77041 U.S.A.