

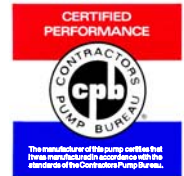
Electric Motor Driven



Submersible Pump

Model S2A1

Size 2"



PUMP SPECIFICATIONS

- Diffuser:** Ductile Iron 80-60-03;
Maximum Operating Pressure 49 psi (338 kPa).*
- Impeller:** Ductile Iron 60-40-18.
- Wear Plate:** Carbon Steel 1045.
- Intermediate:** Aluminum Alloy 356-T6.
- Motor Housing:** Aluminum Alloy 356-T6.
- Motor Shaft:** Stainless Steel 17-4 PH.
- Bearings:** Upper and Lower, Open Single Row Ball Bearing.
- Discharge Flange:** Aluminum Alloy 356-T6.
- Gaskets:** Cork with Nitrile Binder (NC710).
- Wetted Hardware:** Standard Plated Steel.
- Strainer:** Urethane Coated Steel; 50% Open Area,
0.31" (7,9 mm) Diameter Openings.
- Hoisting Bail:** Urethane Coated Steel.

Standard Equipment

NEMA Type 3R Rainproof Control Box. *(See Section 130, Pages 80 and 85.)*
Provides On-Off, Circuit Breaker and Motor Overload Protection.

Optional Equipment

- Liquid Level Control:** *(See Sec. 130, Page 150.)*
 - a. Turtle Type Pressure Activated Level Switch.
 - b. Float Activated Level Switch.

Staging Adapter Kit.

MOTOR/CABLE SPECIFICATIONS

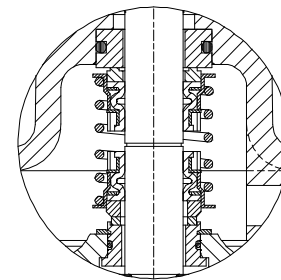
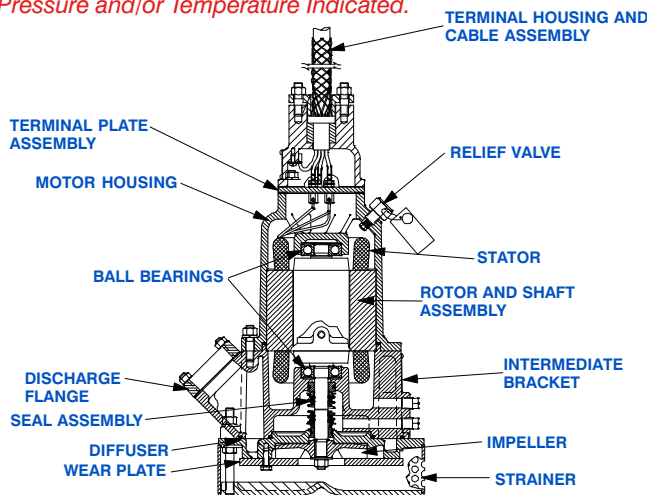
Motor: Oil Filled Enclosure. 2.0 H.P.; 3450 R.P.M.; 60 Hz. 115/230 Volt,
Single Phase: 28.0/14.0, Full Load AMPS, 2.8/2.8 kW (Max.).

Power Cable:

- (115V)** 4 Wire; Type SO/SOW/SOOW; 10 AWG; 3 Power Conductors,
Plus 1 Ground.
- (230V)** 4 Wire; Type SO/SOW/SOOW/SEOW/SEOOW; 14 AWG;
3 Power Conductors, Plus 1 Ground.
Nominal Length 50 Feet (15 m) Standard.
(Specify Alternate Length at Time of Order.)

Recommended Generator Size: 6 kW Across the Line Start.

* Consult Factory for Applications Exceeding Maximum
Pressure and/or Temperature Indicated.



SEAL SPECIFICATIONS

Double, Mechanical Oil Lubricated. Upper faces: Carbon Rotating Face and Ni-Resist Stationary Face. Lower Faces: Tungsten Titanium Carbide Rotating and Stationary Faces. Buna-N Elastomers.

Maximum Temperature of Liquid Pumped 122°F (50°C).*



GORMAN-RUPP PUMPS

www.grpumps.com

Specifications Subject to Change Without Notice

Printed in U.S.A.

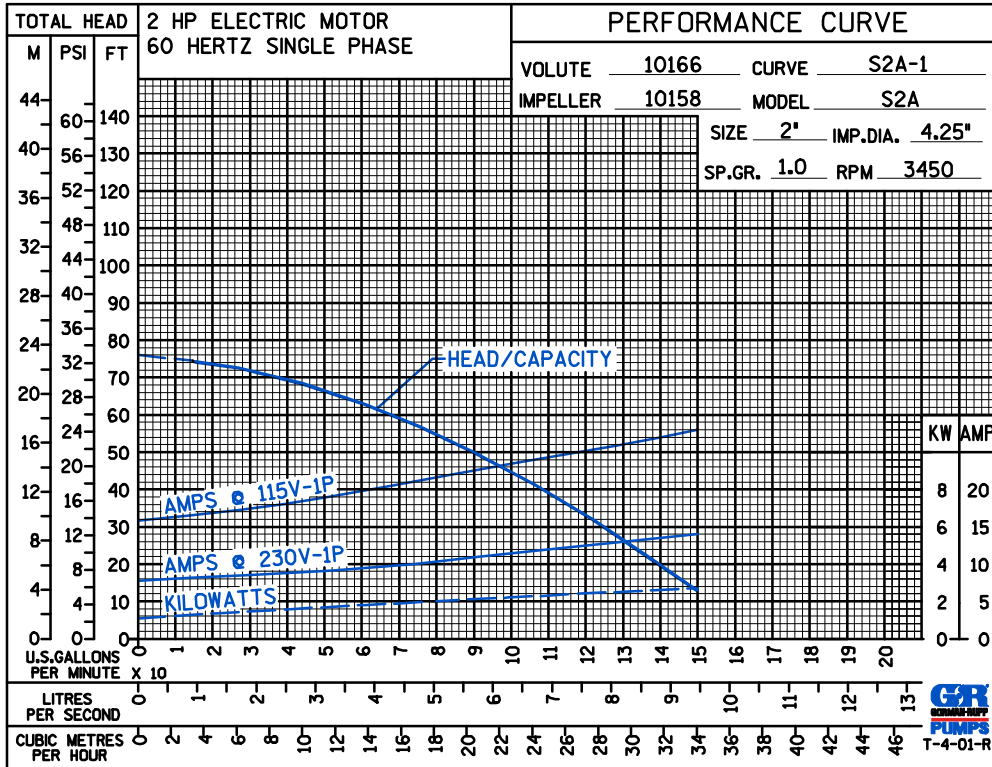
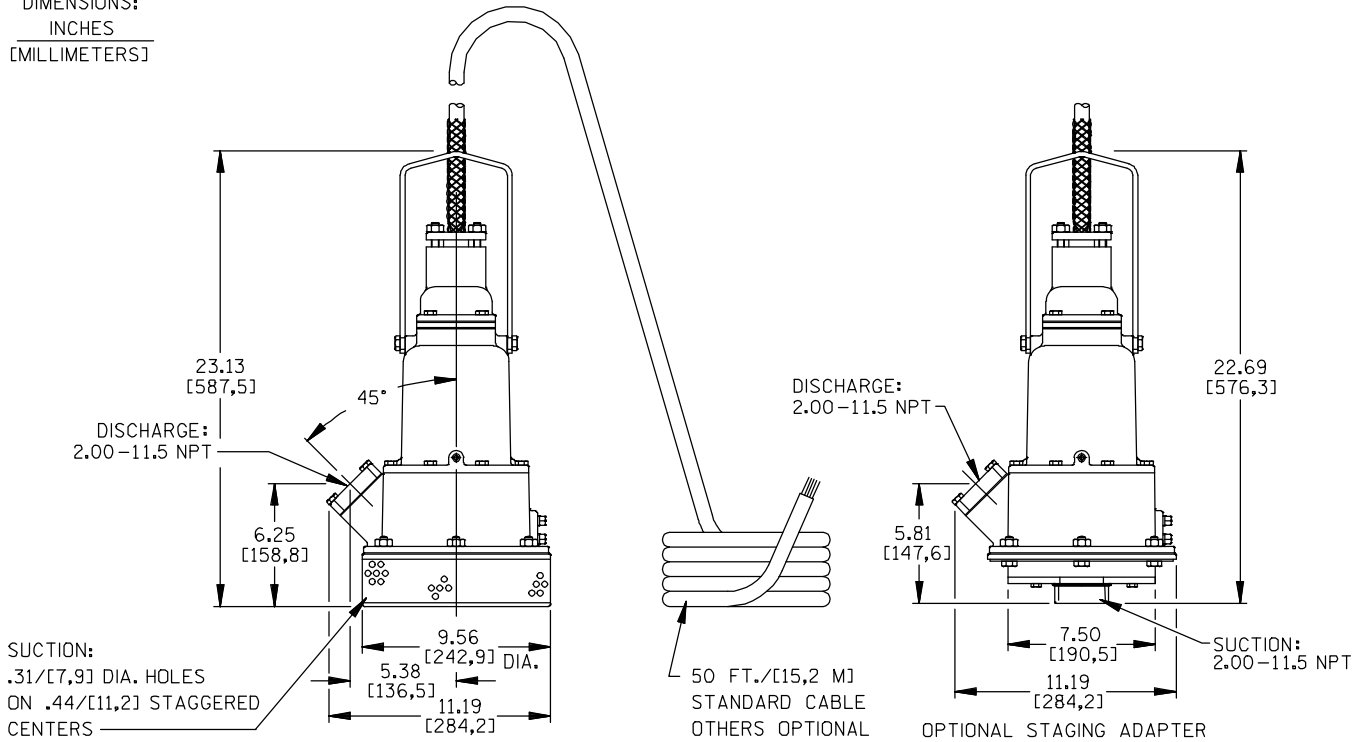
Specification Data

SECTION 130, PAGE 460C

APPROXIMATE
DIMENSIONS and WEIGHTS

NET WEIGHT: 93 LBS. (42,2 KG.)
SHIPPING WEIGHT: 103 LBS. (46,7 KG.)
EXPORT CRATE: 5.0 CU. FT. (0,14 CU. M.)

DIMENSIONS:
INCHES
[MILLIMETERS]



GORMAN-RUPP PUMPS

www.grpumps.com

Specifications Subject to Change Without Notice

Printed in U.S.A.