

Self Priming Centrifugal Pump



Models 81 1/2D3-X.75 All Voltages

Size 1 1/2" x 1 1/2"



PUMP SPECIFICATIONS

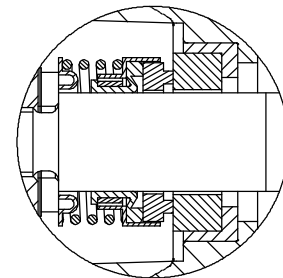
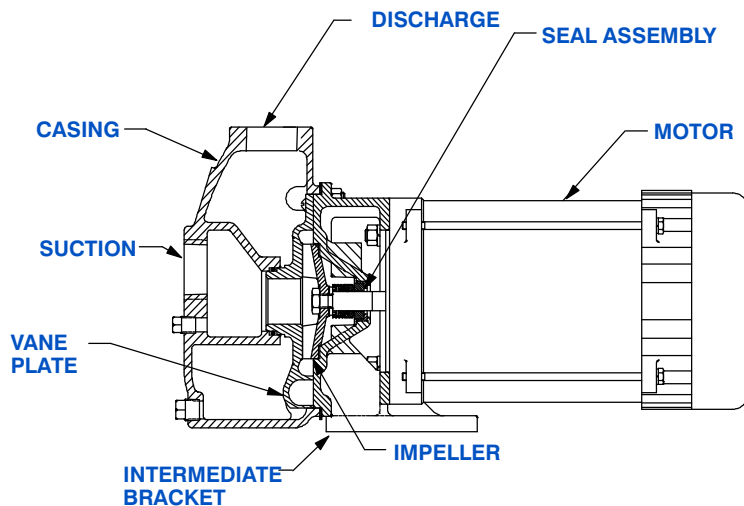
- Size:** 1 1/2" x 1 1/2" (38,1 mm x 38,1 mm) NPT - Female.
- Casing:** Gray Iron 30.
- Maximum Operating Pressure 34 psi (234 kPa).*
- Semi-Open Type, Five Vane Impeller:** Copper Alloy C93700.
Handles 9/32" (7,1 mm) Spherical Solids.
- Impeller Shaft:** Stainless Steel 416. (Provided with Motor).
- Replaceable Vane Plate:** Gray Iron 30.
- Intermediate Bracket:** Gray Iron 30.
- Gasket:** Cork.
- O-Ring:** Buna-N.
- Internal Wetted Hardware:** Copper Alloy and Standard Plated Steel.
- External Hardware:** Standard Plated Steel.
- Optional Equipment:** Consult Factory.



**Consult Factory for Applications Exceeding Maximum Pressure and/or Temperature Indicated.*

MOTOR SPECIFICATIONS

Type	Description	Voltage	Frame Size	Hertz	Service Factor	Horse-power	RPM
X	Single Phase. Capacitor Start/Induction Run. Totally Enclosed Fan Cooled. Explosion Proof. Thermal Overload Protection. Sealed Bearings.	115/230	56	60	1.0	0.75	3450
X	Three Phase. Induction Start/ Run. Explosion Proof. Totally Enclosed, Fan Cooled. Thermal Overload Protection. Sealed Bearings.	230/460 575					



SEAL DETAIL

Type 21, Mechanical, Self-Lubricated. Carbon Rotating Face. Ni-Resist Stationary Face. Fluorocarbon Elastomers (DuPont Viton® or Equivalent). Stainless Steel 18-8 Cage and Spring. Maximum Temperature of Liquid Pumped, 160°F. (71°C).*



GORMAN-RUPP PUMPS

www.grpumps.com

Specifications Subject to Change Without Notice

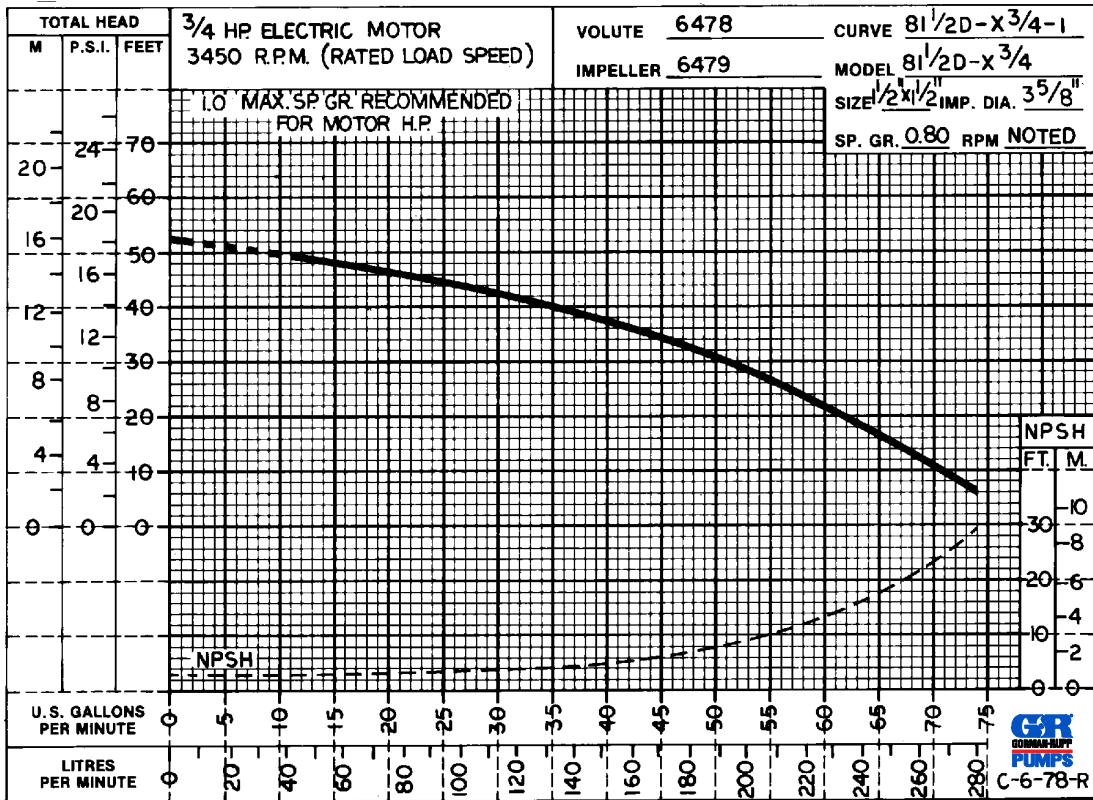
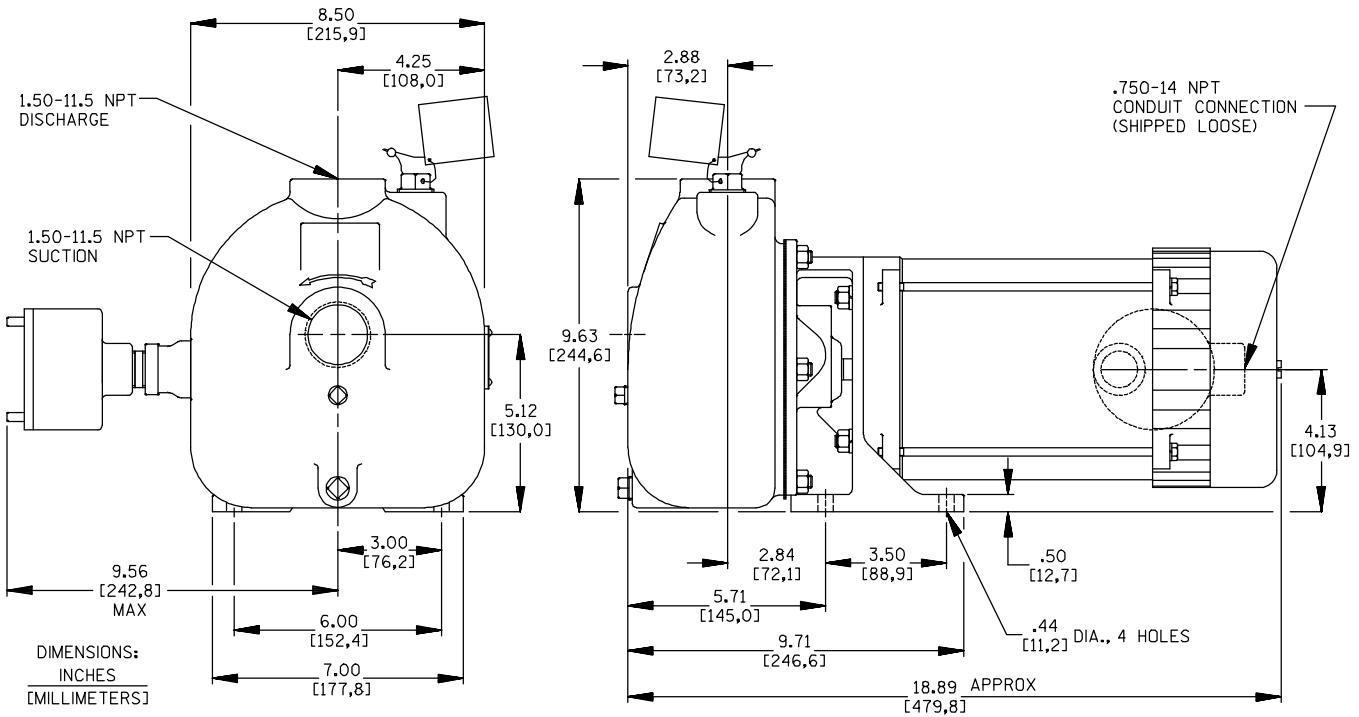
Printed in U.S.A.

Specification Data

SECTION 50, PAGE 510C

APPROXIMATE
DIMENSIONS and WEIGHTS

NET WEIGHT: 65 LBS. (29,4 KG.)
SHIPPING WEIGHT: 70 LBS. (31,7 KG.)
EXPORT CRATE: 3.5 CU. FT. (0,1 CU. M.)



GORMAN-RUPP PUMPS

www.grpumps.com

Specifications Subject to Change Without Notice

Printed in U.S.A.