

Electric Motor Driven

# Self Priming Centrifugal Pump



Models 81 1/2D3-E.75 All Voltages

Size 1 1/2" x 1 1/2"



**PUMP SPECIFICATIONS**

**Size:** 1 1/2" x 1 1/2" (38,1 mm x 38,1 mm) NPT - Female.

**Casing:** Gray Iron 30.

Maximum Operating Pressure 34 psi (234 kPa).\*

**Semi-Open Type, Five Vane Impeller:** Copper Alloy C93700.

Handles 9/32" (7,1 mm) Spherical Solids.

**Impeller Shaft:** Stainless Steel 416 (Provided with Motor).

**Replaceable Vane Plate:** Gray Iron 30.

**Intermediate Bracket:** Gray Iron 30.

**Gasket:** Vegetable Fiber.

**O-Ring:** Buna-N.

**Internal Wetted Hardware:** Copper Alloy and Standard Plated Steel.

**External Hardware:** Standard Plated Steel.

**Strainer.**

**Carrying Handle** (81 1/2D3-E.75 1P Only).

**8' [2,4 M] Electric Power Cord** (81 1/2D3-E.75 1P Only).

**Optional Equipment:** Consult Factory.

*\*Consult Factory for Applications Exceeding Maximum Pressure and/or Temperature Indicated.*

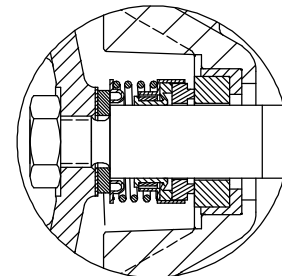
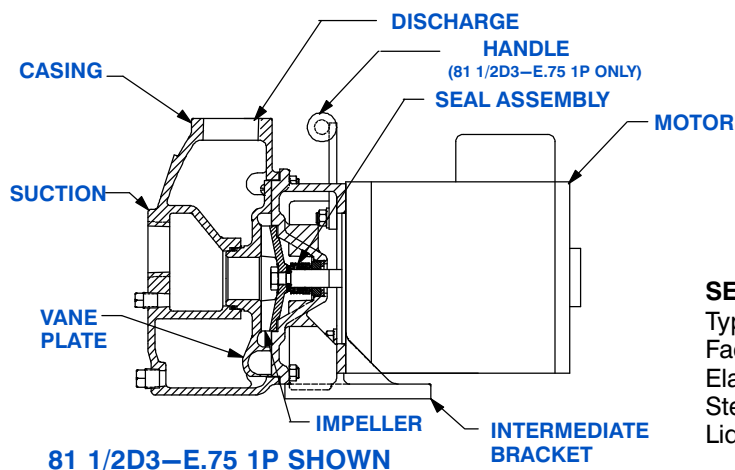


81 1/2D3-E.75 3P SHOWN

**WARNING!**  
Do not use in explosive atmosphere or for pumping volatile flammable liquids.

**MOTOR SPECIFICATIONS**

Type	Description	Voltage	Frame Size	Hertz	Service Factor	Horse-power	RPM
E	Single Phase. Open Drip-Proof. Capacitor Start/Induction Run.	115/230	56	60	1.5	0.75	3450
E	Three Phase. Open Drip-Proof. Induction Start/Induction Run.	230/460 575					



**SEAL DETAIL**

Type 21, Mechanical, Self-Lubricated. Carbon Rotating Face. Ni-Resist Stationary Face. Fluorocarbon Elastomers (DuPont Viton® or Equivalent). Stainless Steel 18-8 Cage and Spring. Maximum Temperature of Liquid Pumped 160°F. (71°C).\*



GORMAN-RUPP PUMPS

www.grpumps.com

Specifications Subject to Change Without Notice

Printed in U.S.A.

**Specification Data**

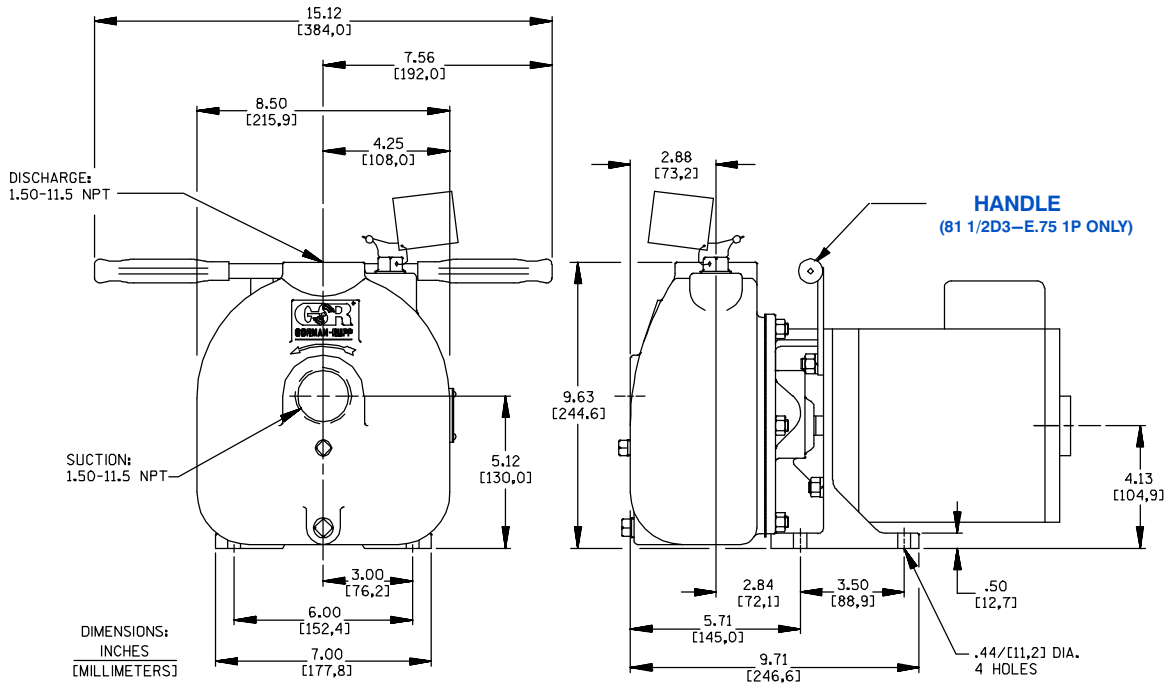
SECTION 50, PAGE 505C

APPROXIMATE  
DIMENSIONS and WEIGHTS

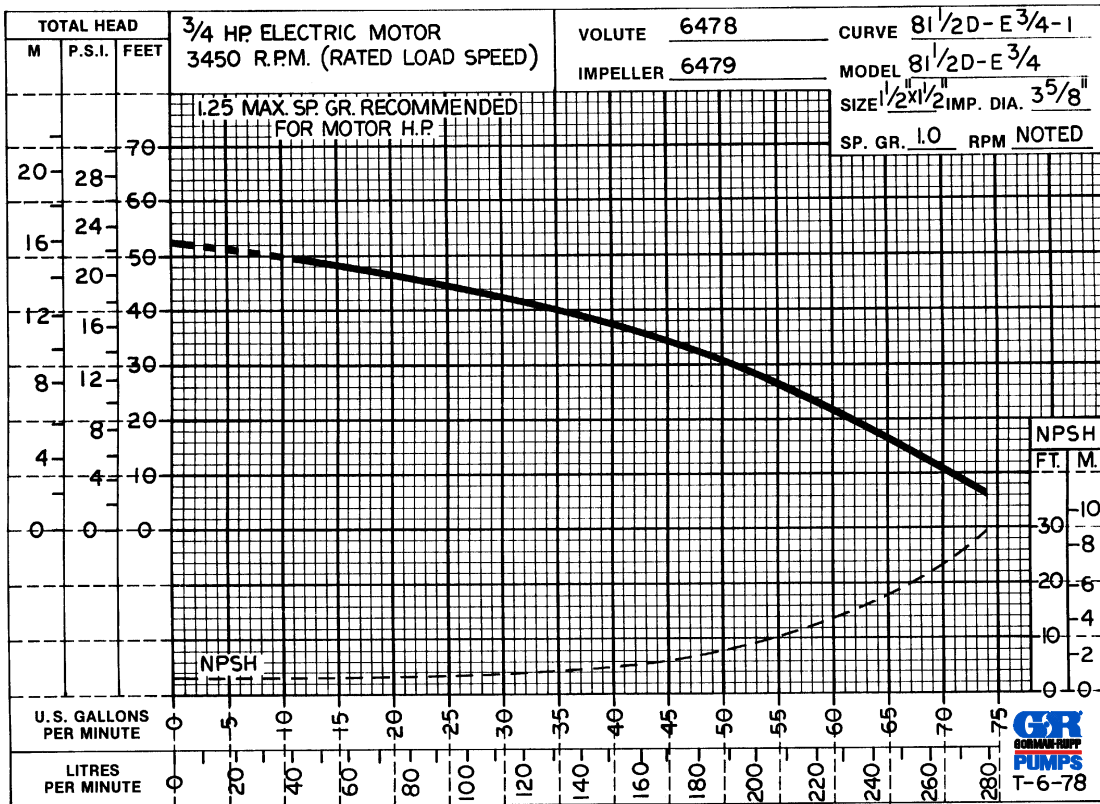
NET WEIGHT: 60 LBS. (27,2 KG.)

SHIPPING WEIGHT: 70 LBS. (31,7 KG.)

EXPORT CRATE: 3.5 CU. FT. (0,1 CU. M.)



81 1/2D3-E.75 1P SHOWN



GORMAN-RUPP PUMPS

www.grpumps.com

Specifications Subject to Change Without Notice

Printed in U.S.A.