

Self Priming Centrifugal Pump

Models 81 1/4A3-X.50 All Voltages



Size 1 1/4" x 1 1/4"

PUMP SPECIFICATIONS

Size: 1 1/4" x 1 1/4" (31,8 mm x 31,8 mm) NPT - Female.

Casing: Gray Iron 30.

Maximum Operating Pressure 24 psi (165 kPa).*

Semi-Open Type, Five Vane Impeller: Copper Alloy C93700.

Handles 1/4" (6,4 mm) Spherical Solids.

Impeller Shaft: Stainless Steel 416 (Provided with Motor).

Replaceable Vane Plate: Gray Iron 30.

Intermediate Bracket: Gray Iron 30.

Gasket: Vegetable Fiber.

O-Ring: Buna-N.

Internal Wetted Hardware: Copper Alloy and Standard Plated Steel.

External Hardware: Standard Plated Steel.

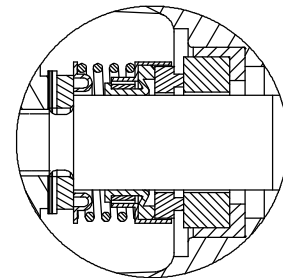
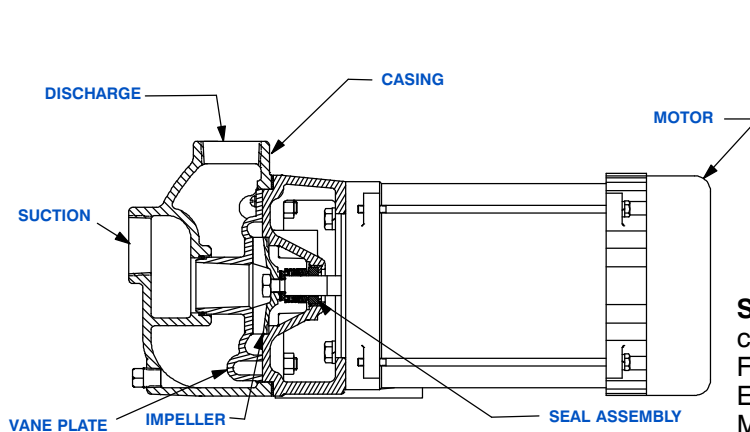
Optional Equipment: Wheel Kit w/Semi-Pneumatic Tires.

**Consult Factory for Applications Exceeding Maximum Pressure and/or Temperature Indicated.*



MOTOR SPECIFICATIONS

Type	Description	Frame Size	Hertz	Horse power	Service Factor	RPM	Voltage
X	Single Phase. Totally Enclosed, Fan Cooled. Explosion Proof. Capacitor Start/Induction Run. Thermal Overload Protection. Self-Lubricated Bearings.	56	60	0.5	1.0	3450	115/230
X	Three Phase. Totally Enclosed. Fan Cooled. Explosion Proof. Induction Start/Induction Run. Thermal Overload Protection. Self-Lubricated Bearings.						230/460 575



SEAL DETAIL Type 21, Mechanical, Self-Lubricated. Carbon Rotating Face. Ni-Resist Stationary Face. Fluorocarbon Elastomers (DuPont Viton® or Equivalent). Stainless Steel 18-8 Cage and Spring. Maximum Temperature of Liquid Pumped, 160°F. (71°C).*



GORMAN-RUPP PUMPS

www.grpumps.com

Specifications Subject to Change Without Notice

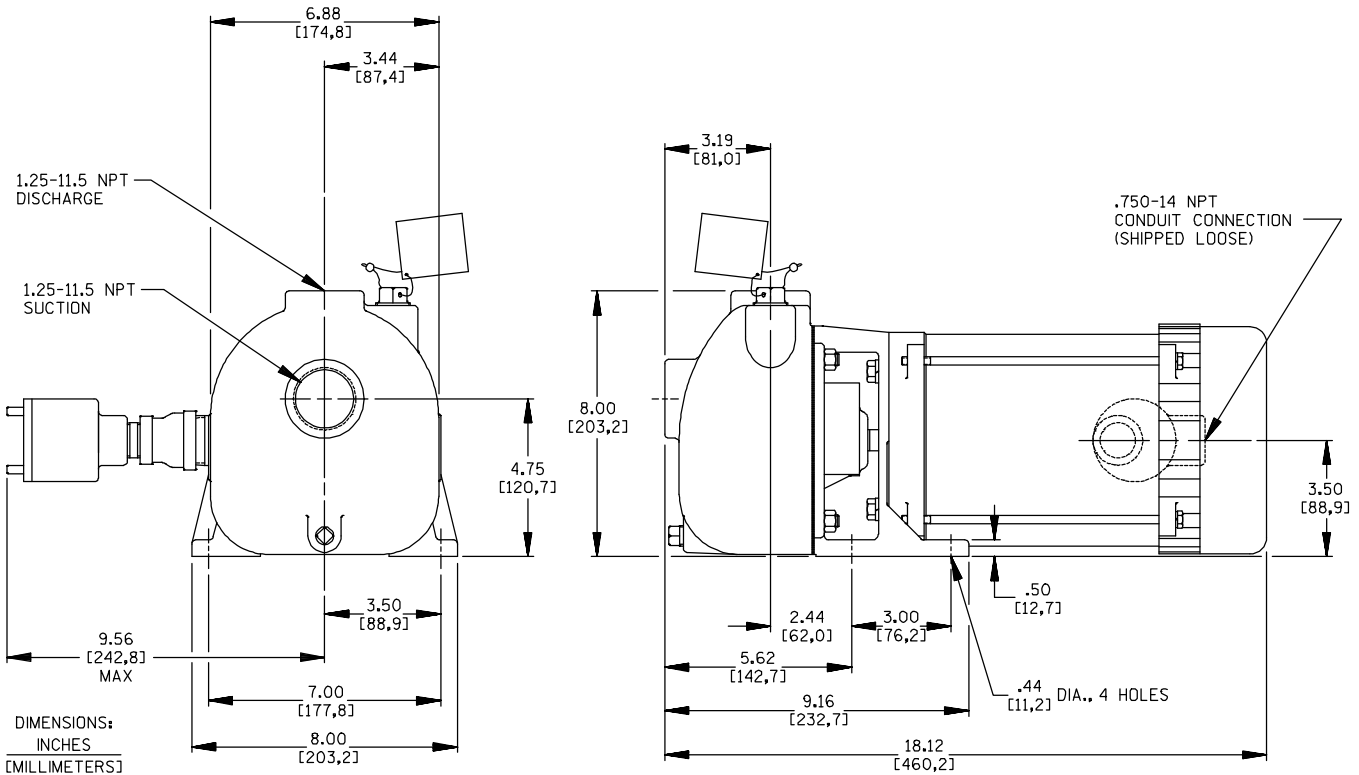
Printed in U.S.A.

Specification Data

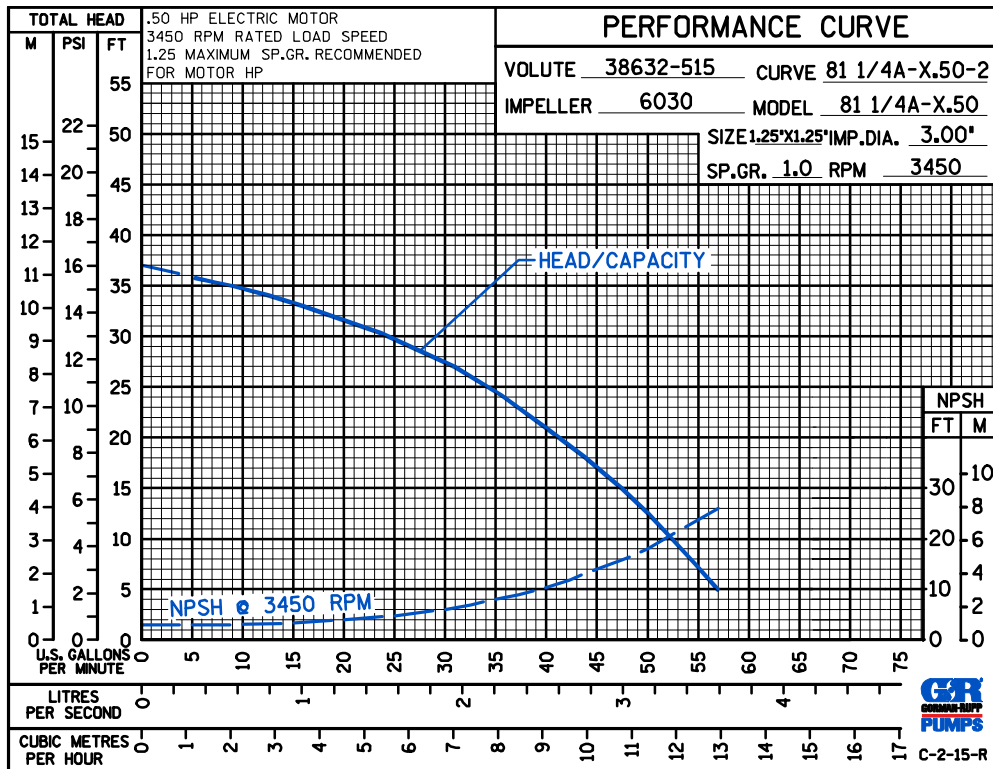
SECTION 50, PAGE 301C

APPROXIMATE
DIMENSIONS and WEIGHTS

NET WEIGHT: 45 LBS. (20 KG.)
SHIPPING WEIGHT: 54 LBS. (25 KG.)
EXPORT CRATE: 3.5 CU. FT. (0,1 CU. M.)



**60 HERTZ
PERFORMANCE
BASED ON
WATER**



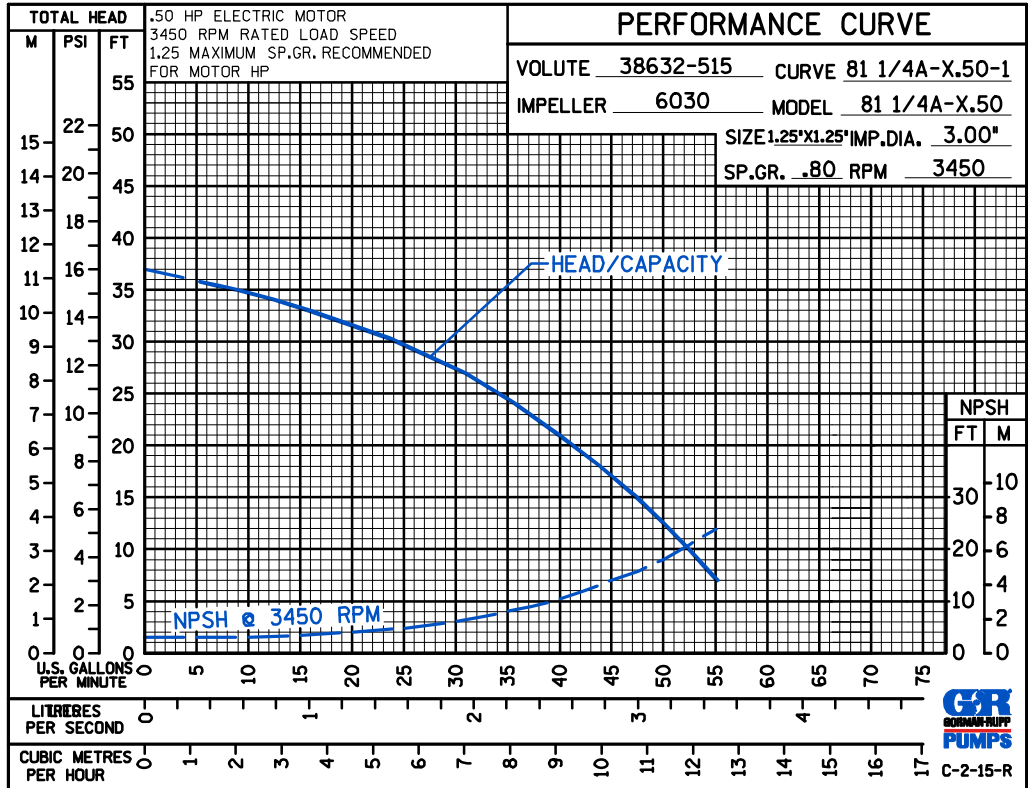
GORMAN-RUPP PUMPS

www.grpumps.com

Specifications Subject to Change Without Notice

Printed in U.S.A.

60 HERTZ
PERFORMANCE
BASED ON
PETROLEUM



GORMAN-RUPP PUMPS

www.grpumps.com

Specifications Subject to Change Without Notice

Printed in U.S.A.