



# Self Priming Centrifugal Pump

## Model 16A2-F3L

Size 6" x 6"



70 MT



Total Head		Capacity Of Pump In U.S. Gallons Per Minute (GPM) At Continuous Performance				
P.S.I.	Feet					
50.3	116	345	345	345	345	345
44	100	570	710	710	710	710
39	90	605	890	1000	1000	1000
35	80	625	935	1100	1180	1180
30	70	645	955	1140	1280	1320
26	60	660	962	1155	1320	1375
21	50	675	970	1170	1335	1395
<b>Suction Lift</b>		<b>25'</b>	<b>20'</b>	<b>15'</b>	<b>10'</b>	<b>5'</b>

### PUMP SPECIFICATIONS

**Size:** 6" x 6" (152 mm x 152 mm) NPT - Female.

**Casing:** Gray Iron 30.

Maximum Operating Pressure 84 psi (579 kPa)\*.

**Semi-Open, Two Vane Impeller:** Ductile Iron 60-40-18.

Handles 2 1/2" (63,5 mm) Diameter Spherical Solids.

**Impeller Shaft:** Alloy Steel 4150.

**Replaceable Wear Plate:** Carbon Steel ASTM A36.

**Removable Cover Plate:** Gray Iron 30. 60 lbs. (27.2 kg).

**Intermediate:** Gray Iron 30.

**Seal Plate:** Gray Iron 30.

**Seal:** Double, Grease-Lubricated <sup>w/</sup>Spring-Loaded Grease Cup. Sintered Bronze Stationary Seal Seats. Steel Rotating Faces. Maximum Temperature of Liquid Pumped 110°F (43°C.) Maximum Suction Pressure 10 psi (69 kPa).\*

**Seal Liner:** Copper Alloy C93700.

**Flap Valve:** Buna-N <sup>w/</sup>Nylon Reinforcement and Steel.

**Radial Bearing:** Open Single Row Ball.

**Thrust Bearing:** Open Double Row Ball.

**Bearing Lubrication:** SAE 30 Non-Detergent Oil.

**Suction Flange:** Gray Iron 30.

**Gaskets:** Cork, Vegetable Fiber and PTFE.

**Hardware:** Standard Plated Steel.

**Standard Equipment:** Hoisting Bail. Skid Base. Strainer. 90° Discharge Elbow. Oil Level Sight Gauge.

**Optional Equipment:** Battery. High Speed (55 MPH/89 KM/H) Single Axle Pneumatic-Tired Wheel Kit. [Tandem Axle Over-the-Road Trailer](#).

\*Consult Factory for Applications Exceeding Maximum Pressure and/or Temperature Indicated.



### WARNING!

Do not use in explosive atmosphere or for pumping volatile flammable liquids.

### ENGINE SPECIFICATIONS

**Model:** Deutz D914L3.

**EPA Tier:** Interim Tier 4.

**Type:** Three Cylinder, Four Cycle, Air Cooled Diesel Engine.

**Displacement:** 197.4 Cu. In. (3,24 Liters).

**Lubrication:** Forced Circulation.

**Air Cleaner:** Oil Bath.

**Fuel Tank:** 38.9 U.S. Gallons (147.2 Liters).

**Full Load Operating Time:** 19.3 Hours.

**Starter:** 12 Volt Electric.

**Standard Features:** High Oil Temperature, Low Oil Pressure, V-Belt, Alternator and Start Failure Safety Shut Down Switches/Indicators. Fuel Level Gauge. Throttle Control. Instrument Panel Includes: Temperature Gauge, Oil Pressure Gauge, Ammeter, Hourmeter, Tachometer, Manual/Stop Key Switch, 15 Amp Fuse. Muffler <sup>w/</sup>Guard and Weather Cap.

### DEUTZ PUBLISHED PERFORMANCE:

Maximum Gross Continuous B.H.P.

54.9 (41 kW) @ 2300 RPM



GORMAN-RUPP PUMPS

www.grpumps.com

Specifications Subject to Change Without Notice

Printed in U.S.A.

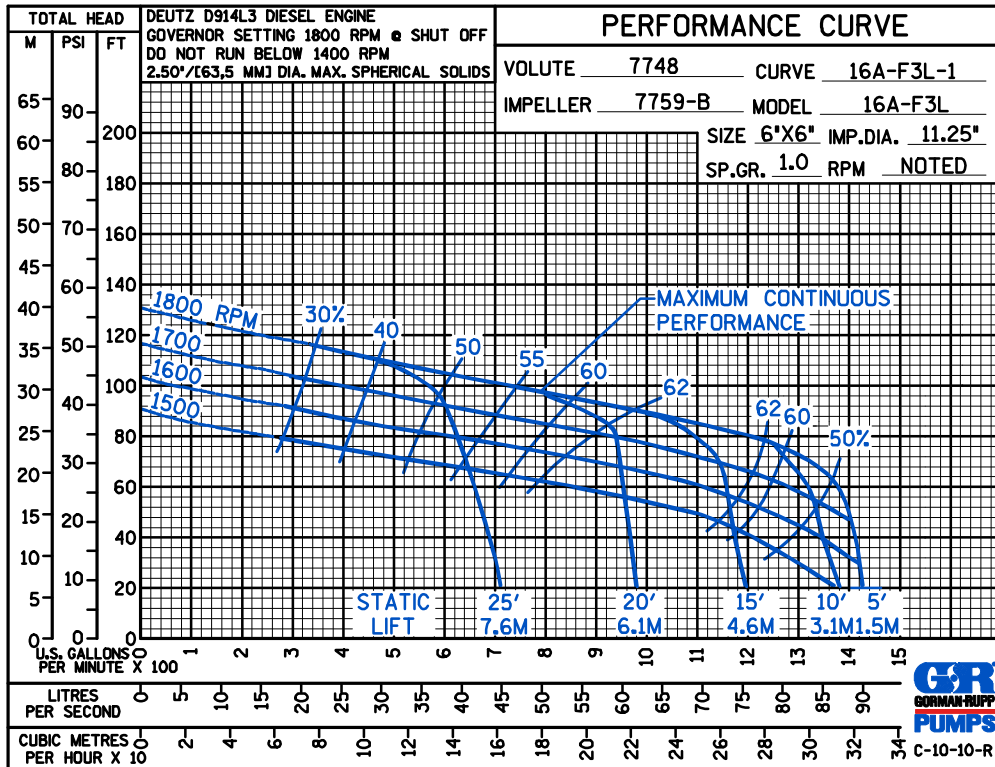
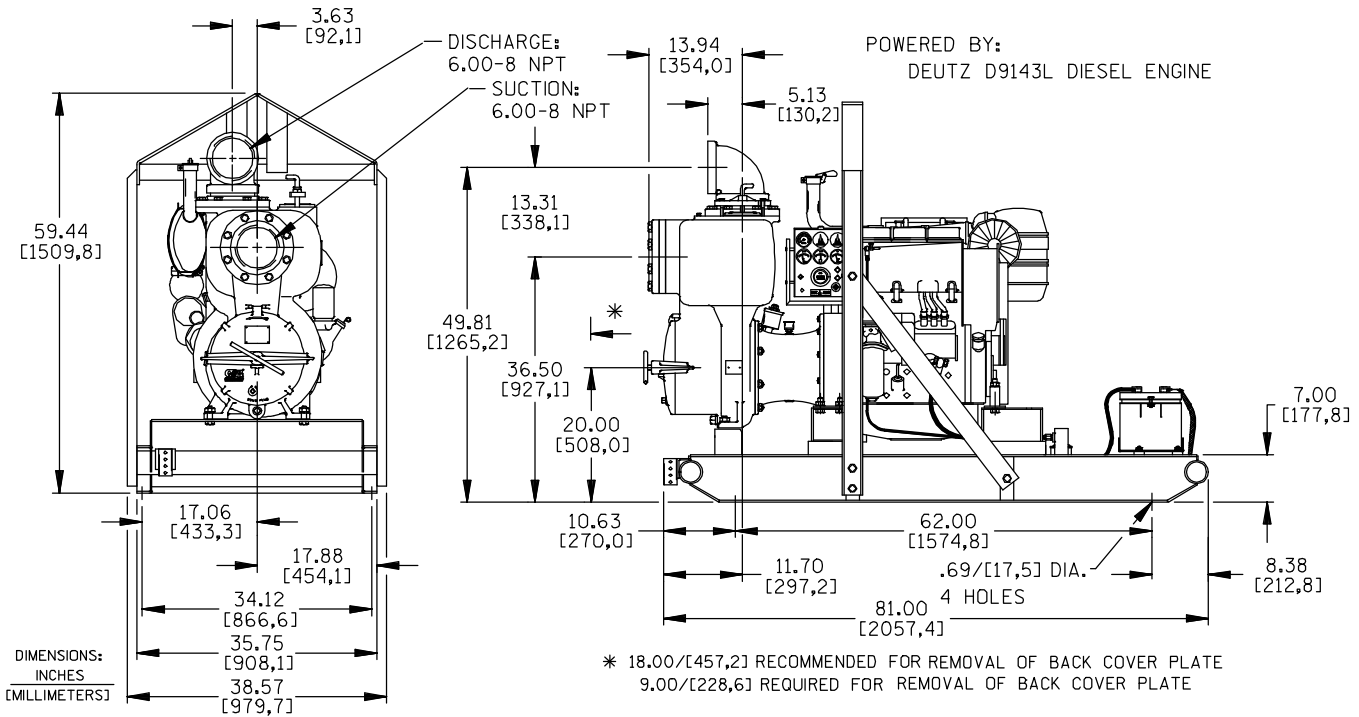
**Specification Data**

APPROXIMATE DIMENSIONS and WEIGHTS

**SKID BASE**  
**NET WEIGHT:** 2040 LBS. [925,3 KG.]  
**SHIPPING WEIGHTS:** 2180 LBS. [988,8 KG.]  
**EXPORT CRATE:** 147 CU. FT. [4,2 CU. M.]

**2-WHEEL**  
**NET WEIGHT:** 2424 LBS. [1099,5 KG.]  
**SHIPPING WEIGHTS:** 2424 LBS. [1099,5 KG.]

SECTION 45, PAGE 1325



**GORMAN-RUPP PUMPS**

www.grpumps.com

Specifications Subject to Change Without Notice

Printed in U.S.A.