

Single Hole Wok Range SML-0100B5

Features:

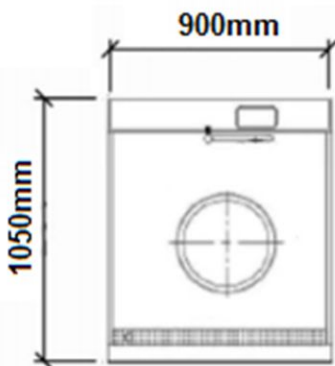
- High performance gas wok range
- Easy clean stainless steel
- Integrated water fill and water faucet
- Stainless steel exterior

Specifications:

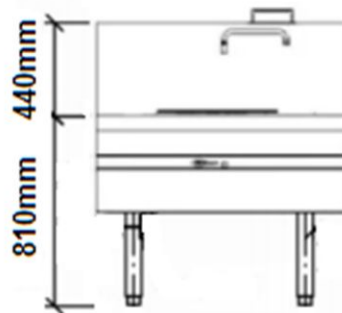
- Dimension (inch): W: 35.4 x D: 41.3 x H: 49=32+17
- Dimension (mm): W: 900 x D: 1050 x H: 1250=810+440
- 23 jet burner
- Power Rating: 110,000 BTU (32KW)



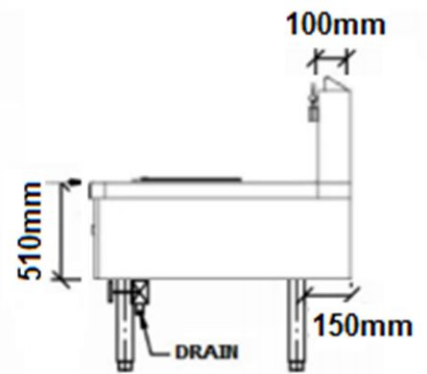
TOP VIEW



FRONT VIEW



SIDE VIEW



Safety notice:

It can only be placed on non-combustible floors. When the side or back is a non-flammable object, the placement gap can be zero.

When there are combustible objects on the side or back, the clearance must be at least 8 inches (203mm).