

48" Double Door Undercounter Freezer

CABINET CONSTRUCTION

Heavy duty construction includes a 304 type stainless steel interior and a 430 type stainless steel exterior, resulting in strength, durability, and an attractive, sleek appearance.

Foamed-in-place CFC- and HCFC-free polyurethane insulation enhances the structural strength of the cabinet and helps increase energy efficiency.

One-piece rear grill is easily removed for cleaning and servicing. 2 doors feature easy-to-use recessed handles for quick interior access. Doors stay open past 90° for easy loading, but will self-close under 90° to save energy.

REFRIGERATION SYSTEM

Environmentally safe R290 refrigerant. Rear-mounted condensing unit positioned for easy maintenance.

SHELVING

2 white epoxy-coated steel shelves included. Each accommodate up to 90 lb.

MODEL FEATURES

Copper evaporator coil eliminates the potential of corrosion. Interior wall-mounted thermometer for easy temperature monitoring. Preprogrammed digital controller features auto-defrost function.

- **Stainless steel interior and exterior, aluminum back.** Option of bright white aluminum interior available.
- **Refrigeration system** keeps food at safe temperatures between -8°F and 0°F (-22°C to -18°C).
- **Self-Closing doors** with 90 degree stay-open feature.
- **Shelves:** Adjustable heavy-duty PVC coated shelves.
- **Electronic control system** makes it easy to adjust temperature set point and defrost frequency.
- **Preinstalled heavy-duty casters with brakes.**
- **Removable installation board** makes it easy to access condenser coil for cleaning and service.
- **These units use HYDRO-CARBON R290 refrigerant,** which is environmentally friendly and more efficient than R134a/R404a refrigerant.



SML-UC48F



Undercounter Refrigerator

SML-UC48F

TECHNICAL DATA

Dimensions

Exterior Dimensions	47 $\frac{1}{8}$ "W x 29 $\frac{1}{2}$ "D x 35 $\frac{1}{8}$ "H
Interior Dimensions	42 $\frac{1}{2}$ "W x 22 $\frac{7}{8}$ "D x 23 $\frac{1}{2}$ "H
Working Height	35 $\frac{1}{8}$ "
Net Volume	12 cu. ft.
Net Weight	214 lb.
Gross Weight	275 lb.
Packaging Dimensions	50"W x 32 $\frac{1}{4}$ "D x 38 $\frac{1}{2}$ "H

Construction

Exterior Material	Type 430 Stainless Steel
Interior Material	Type 304 Stainless Steel
Insulation Material	Foamed-in -place polyurethane
Shelf Size	(2) 20 $\frac{13}{16}$ " x 17 $\frac{1}{16}$ "
Shelf Material	Epoxy-coated steel
Shelf Load Capacity	90 lb.

Cooling

Temperature Range	-8°F - 0°F
Refrigerant	R290
Max. Ambient Temperature	100°F
Defrosting	Automatic
Temperature Controller	Digital
Horsepower	1/4+

Electrical

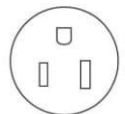
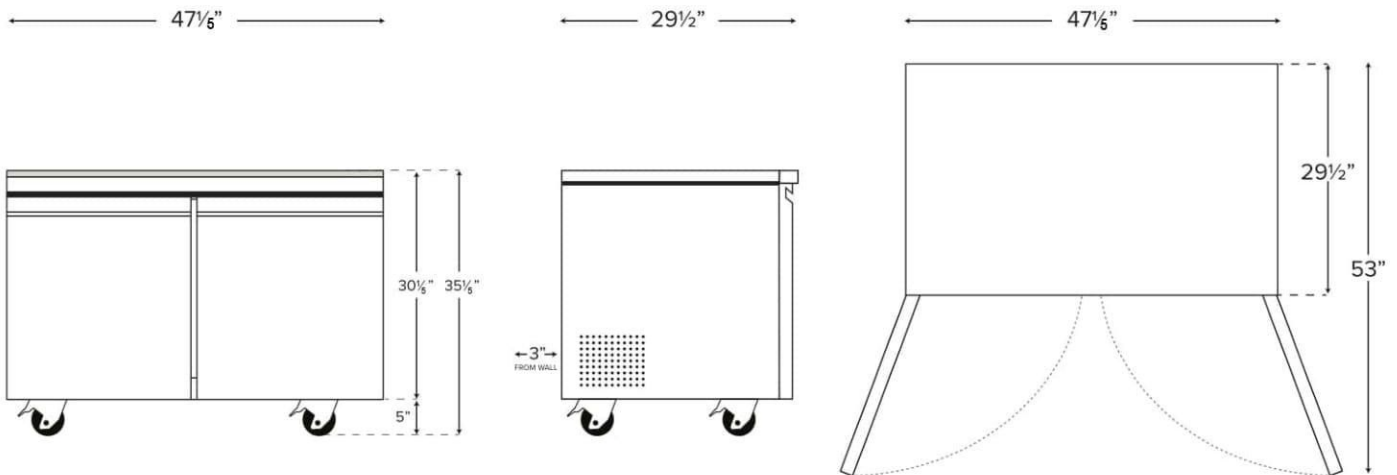
Voltage	115
Amps	4.5
Hz	60
Phase	1
Plug Type	NEMA 5-15P
Electrical Cord Length	84"

PLAN VIEW

FRONT VIEW

SIDE VIEW

TOP VIEW



NEMA 5-15P