

## 27" One Door Sandwich/Salad Prep Table



**SML-S27**

### FEATURES

- ▶ Standard top model
- ▶ Stainless steel exterior and interior
- ▶ Refrigeration system keeps food at safe temperatures
- ▶ Self-closing doors with 90 degree stay-open feature
- ▶ Adjustable heavy-duty PVC coated shelves
- ▶ Cutting boards and clear pans
- ▶ Recessed door handle
- ▶ Electronic control system
- ▶ Preinstalled heavy-duty casters with brakes
- ▶ Removable installation board
- ▶ Hydro-Carbon R290 refrigerant



## TECHNICAL DATA

### Dimensions

Exterior Dimensions	27½"W x 29 ½"D x 42¾"H
Interior Dimensions	24"W x 23¾"D x 23½"H
Working Height	35¼"
Overall Height (Lid Open)	47¼"
Net Volume	5.7 cu. ft.
Net Weight	176 lb.
Gross Weight	231 lb.
Packaging Dimensions	31¾"W x 33¾"D x 45½"H

### Construction

Exterior Material	Type 430 Stainless Steel
Interior Material	Type 304 Stainless Steel
Insulation Material	Foamed-in -place polyurethane
Shelf Size	(1) 17⅝" x 23½"
Shelf Material	Epoxy-coated steel
Shelf Load Capacity	90 lb.

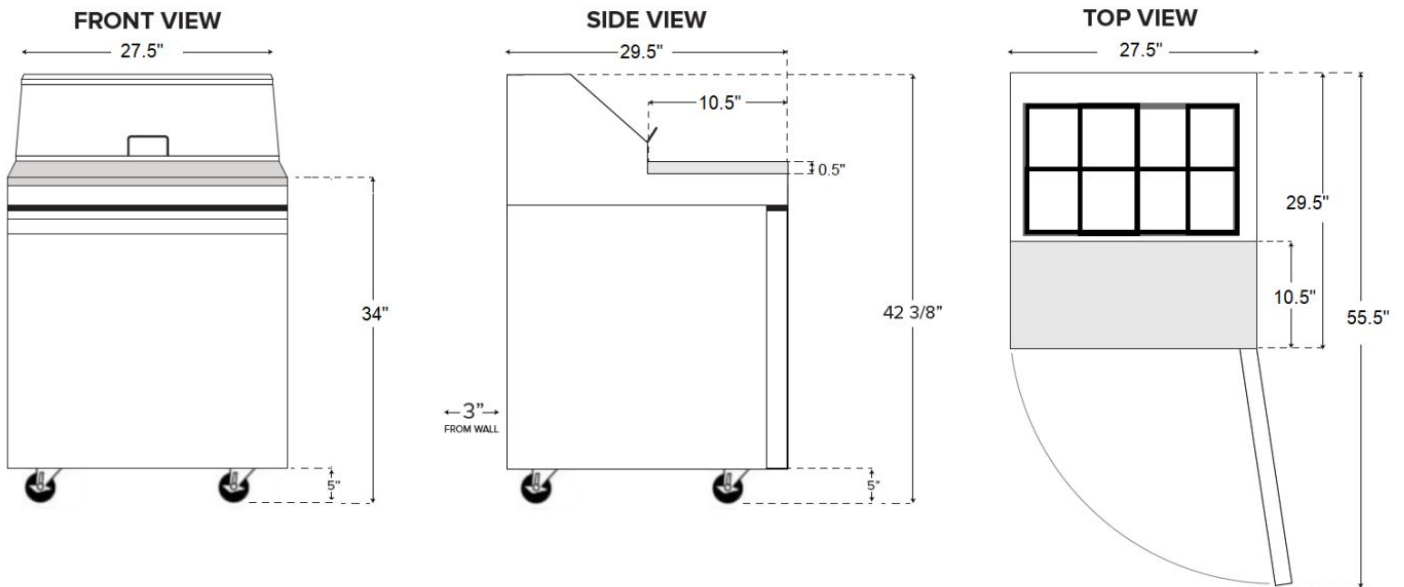
### Cooling

Temperature Range	33°F - 41°F
Refrigerant	R290
Max. Ambient Temperature	90°F
Defrosting	Automatic
Temperature Controller	Digital
Horsepower	1/5

### Electrical

Voltage	115
Amps	2.88
Hz	60
Phase	1
Plug Type	NEMA 5-15P
Electrical Cord Length	84"

## PLAN VIEW



NEMA 5-15P