

24" Gas Range (2 Burner 12" Griddle w/Oven)

Gas Ranges

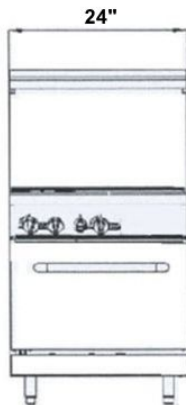
PRODUCT SPECIFICATIONS

- 30,000 BTU per top burner (NG)
- 12" x 12" cast iron grates with aeration bowl
- Standing pilot light for individual burners
- 33,000 BTU each static oven (NG)
- Oven interior side guides & bottom porcelain coated
- Oven thermostat adjusts from 200°F - 500°F
- Manual gas controls
- Stainless steel front, back riser, and lift off shelf
- Stainless steel legs standard
- "Cool-to-the-touch" front s/s deck
- Flue located on back of unit for ample ventilation
- Easy to remove full width crumb tray
- Range is fully serviceable from the front
- Optional casters available. All swivel with front locking brakes

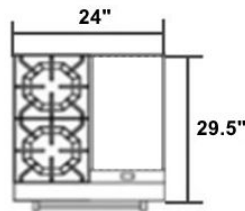


SML-R24-2B12G

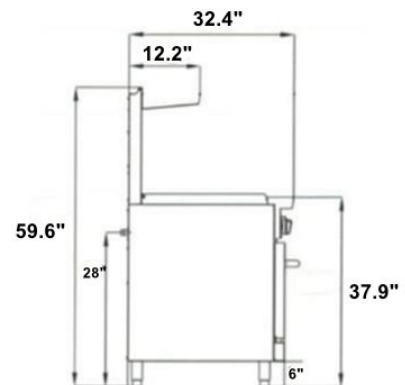
FRONT VIEW



TOP VIEW



SIDE VIEW



Model	Gas Type	Width	Total BTU	Shipping Dimensions			Shipping Wt.
				Width	Depth	Height	
SML-R24-2B12G	NG	24"	123,000	27 1/2"	36 1/2"	47"	362 lbs
				70cm	93cm	119cm	164kg

- . 3/4" NPT gas connection
- . NG gas 5" W.C. ; LP gas 10"W.C.
- . Legs adjustable from 6"-7 1/2" total leg height.
- . Certification:

