

Gas Hot plate

PRODUCT SPECIFICATIONS

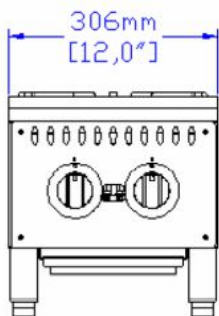
- 12" x 12" cast iron grates
- Octagonal cast iron burners
- 25,000 BTU / burner
- Standing pilot light for each burner
- "Cool-to-the-touch" front s/s edge
- Aeration bowl in each grate to retain heat to each pot/pan
- Adjustable pilot lights
- Adjustable stainless steel legs, non-skid feet
- Full length seamless drip pan, easy to remove and clean
- Hotplate is fully serviceable from the front



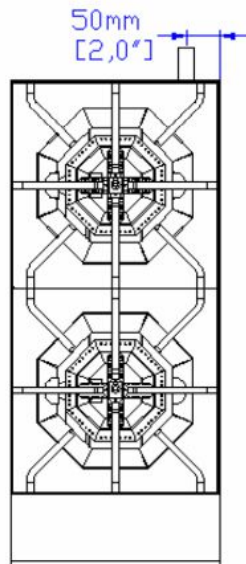
SML-HP12

Model	Gas Type	Number of Burners	Total BTU	Shipping Dimensions			Shipping Wt.
				Width	Depth	Height	
SML-HP12	NG / LP	2	50,000	15 3/4"	33 1/2"	17 1/4"	84 lbs
				40cm	85cm	44cm	38 kg

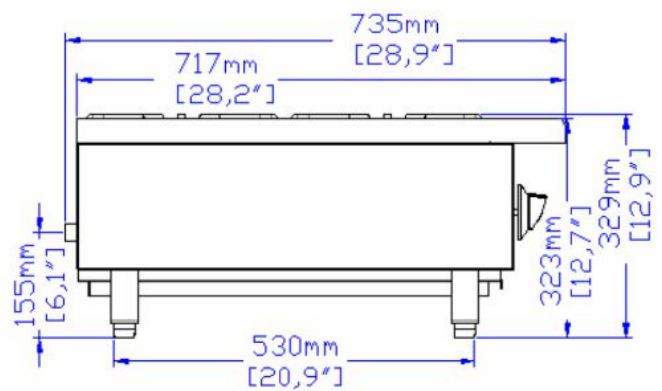
FRONT VIEW



TOP VIEW



SIDE VIEW



- . Natural gas or Liquid Propane Gas main supply required
- . 3/4" NPT gas connection, 4" W.C. ; LP gas 10"W.C.
- . Foot adjustable from 6" -7 1/2".
- . Certification:

