

# Gas Griddle-Thermostat Control

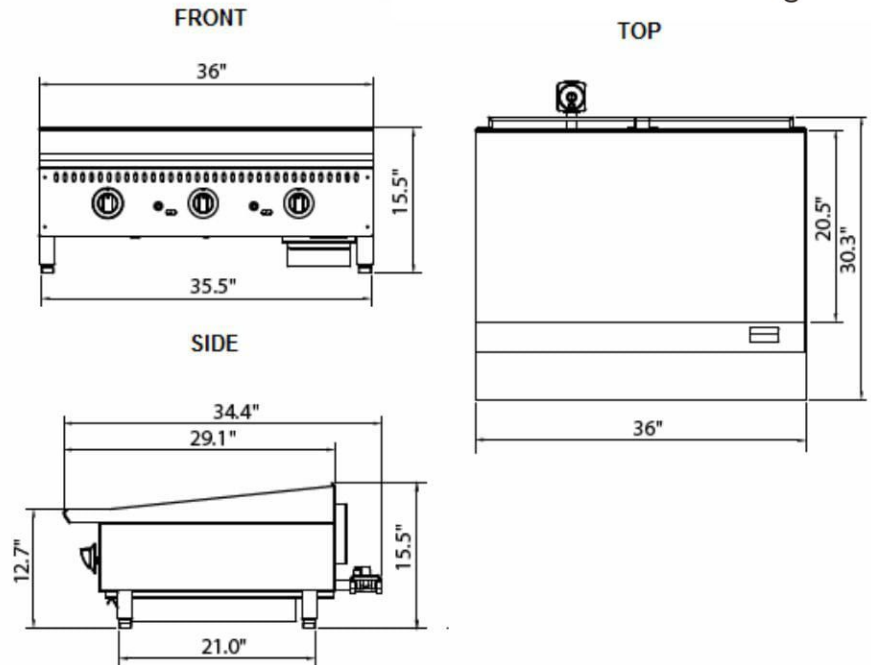
## Gas Griddle - Thermostat Controls

★ Available in 24", 36" & 48" widths, the 30,000 BTU output per burner provides even heat to the 1" thick polished steel griddle plate. Adjustable thermostatic gas controls provide easy and safe operations. Precise temperature control.



## PRODUCT SPECIFICATIONS

- "U" shape burners provide even heat distribution every 12"
- 1" thick griddle plate
- 30,000 BTU / burner
- Gas control knob every 12"
- All stainless steel cabinet
- Double wall insulated sides
- Widths: 24", 36", 48"
- "Cool-to-the-touch" front s/s edge
- Back and side splash guards fully welded to griddle plate
- Flue located on back of unit for ample ventilation
- Adjustable stainless steel legs, non-skid feet
- Each Griddle shipped standard Natural gas, LP conversion kit included
- Easy to remove 3-1/4" grease drawer with "weep hole" and baffle
- Grease trough is standard 4" spatula width
- Griddle is fully serviceable from the front



## DIMENSIONS & SHIPPING INFORMATION

**Please Note:** These items are shipped on a pallet and are crated for protection during LTL shipment. Overall Dimensions include the gas regulator located on the back of the unit.

Model	Footprint	Overall Dimensions	Weight	Shipping Dimensions	Ship Wt.
SML-G36-T	21.0"L x 35.5"W (53.4 cm x 90.2 cm)	34.4"L x 36"W x 15.5"H (87.3 cm x 91.4 cm x 39.4 cm)	252 lbs (124.5 kg)	36.2" L x 40.6" W x 19.3" H (92 cm x 103 cm x 49 cm)	340 lbs (154.0 kg)



## SPECIFICATIONS

### GAS REQUIREMENTS:

- Natural Gas or Liquid Propane (LP) Gas main supply required
- All units ship ready for Natural Gas. An LP conversion kit is included for converting to LP Gas. In order to avoid any warranty issues, conversion of your unit from Natural Gas to LP must be completed by an authorized Core Pro service agent.

- 3/4" NPT gas connection
- 30,000 BTUs (per burner)
- One pilot light per burner or every two burners
- Natural gas 4" W.C. , LP gas 10" W.C.

Model	Cooking Area	Controls	Number of Burners	BTUs (per burner)	Total BTUs
SML-G36-T	20.5"D x 36"W	Thermostatic	3	30,000	90,000