

# Gas Charbroiler

## PRODUCT SPECIFICATIONS

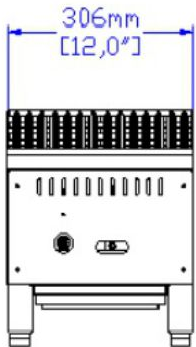
- “U” shape burners provide even heat distribution each 12”
- Adjustable pilot light lit from front of unit
- 35,000 BTU / burner
- Stainless steel cabinet
- Widths: 12”, 24”, 36”, 48”
- Cool-to-the-touch” front s/s edge
- Adjustable stainless steel legs, non-skid feet
- Easy to remove full width crumb tray



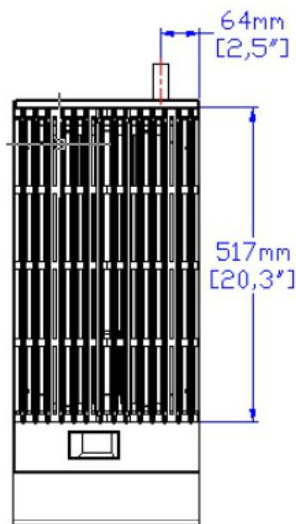
**SML-CB12-M**

Model	Gas Type	Number of Burners	Total BTU	Shipping Dimensions			Shipping Wt.
				Width	Depth	Height	
SML-CB12-M	NG / LP	1	35,000	15 3/4"	33 1/2"	19 1/4"	102lbs
				40cm	85cm	49cm	46kg

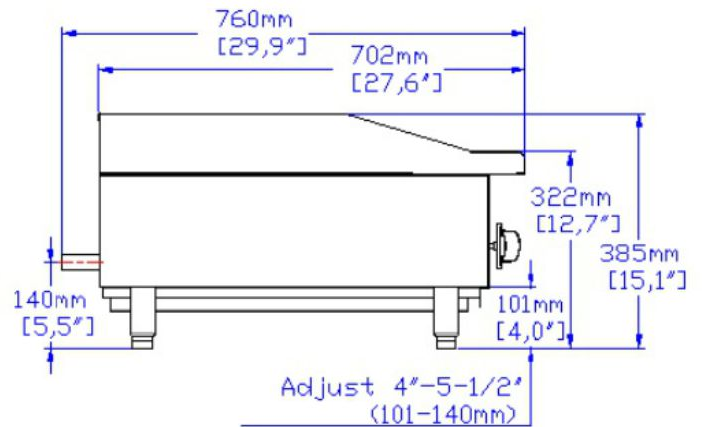
**FRONT VIEW**



**TOP VIEW**



**SIDE VIEW**



- . Natural gas or Liquid Propane Gas main supply required
- . 3/4” NPT gas connection, 4” W.C. ; LP gas 10”W.C.
- . Foot adjustable from 6” -7 1/2”.
- . Certification:

