

Bakery Display Case



SMC-DC48R

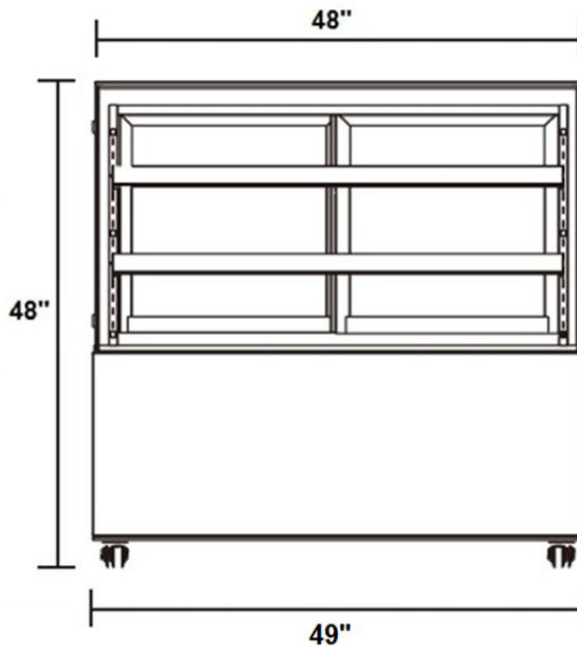
Standard Features

- Brilliant internal LED lighting each shelf and bottom
- 2 adjustable glass shelves
- Digital temperature control and display
- Double tempered glass
- 4 Castors with 2 brakes
- Ventilated cooling system
- Automatic defrost

Specification

- Capacity-gross: 410L/14.5c.f.
- Temperature range: 2-8°C (35.6-46.4°F)
- Rated input power: 480w
- Refrigerant: R290
- Climate Type: 4
- N.W.: 155kg
- G.W.: 188kg
- Overall dimension: 1245×675×1220mm
49×26.6×48inch
- Package dimension: 1352×765×1280mm
53.2×30.1×50.4inch

Front View



Side View

