

Countertop Display Refrigerator



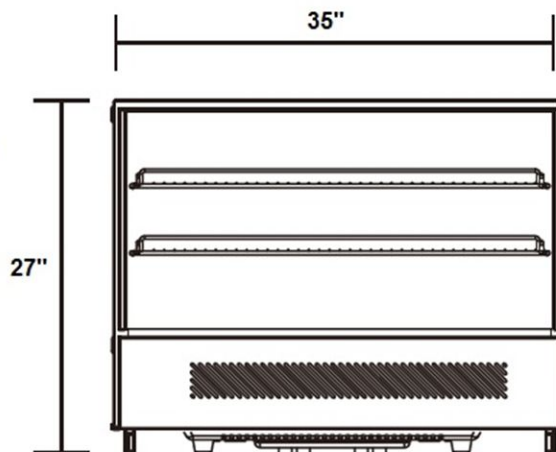
Specification

- Capacity-gross: 160L/5.65c.f.
- Temperature range: 0-12°C (32-53.6°F)
- Rated input power: 240w
- Electrical: 110v/60/1
- Refrigerant: R290
- N.W.: 156lb / 71kg
- G.W.: 172lb / 78kg
- Overall dimension: 880×568×686mm
35×22.4×27inch
- Package dimension: 951×627×735mm
37.5×24.7×28.9inch

Standard Features

- Brilliant Internal LED illumination on 2 sides
- Adjustable PVC coated shelves
- Digital temperature controller and display
- 4 sides double tempered glass
- Front Curved glass
- Sliding doors at back
- Ventilated cooling system
- Automatic defrost

Front View



Side View

