

## Countertop Display Refrigerator



**SMC-CTD28**

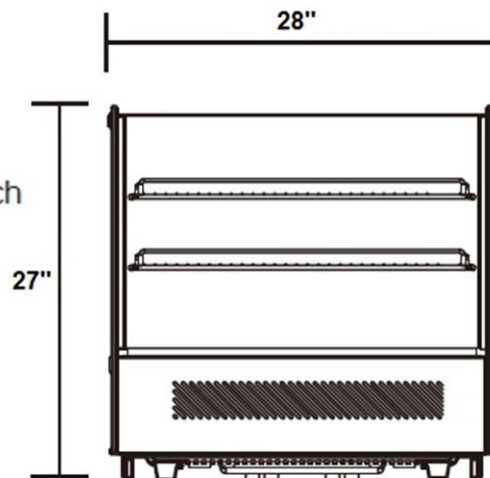
### Specification

- Capacity-gross: 120L/4.24c.f.
- Temperature range: 0-12°C (32-53.6°F)
- Rated input power: 230w
- Electrical: 110v/60/1
- Refrigerant: R290
- N.W.: 131lb / kg
- G.W.: 146lb / kg
- Overall dimension: 702×568×686mm  
28×22.4×27inch
- Package dimension: 773×627×735mm  
30.4×24.7×28.9inch

### Standard Features

- Brilliant Internal LED illumination on 2 sides
- Adjustable PVC coated shelves
- Digital temperature controller and display
- 4 sides double tempered glass
- Front Curved glass
- Sliding doors at back
- Ventilated cooling system
- Automatic defrost

**Front View**



**Side View**

