

Newtop Electric Commercial Water Boiler

Model No.: SM-WB-9K

FEATURES:

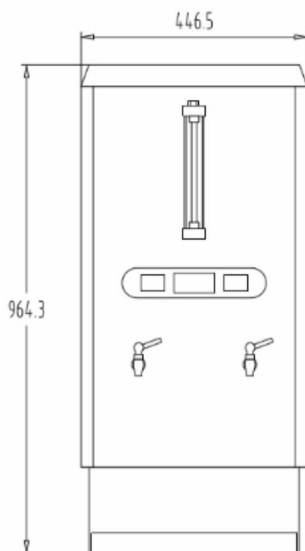
- Double layer 304 stainless steel
- The copper boiling water outlet
- Anti-scalding, hygienic, easy to clean
- Automatically enter water
- Space saving design – can be placed on the worktable
- Display water temperature
- You can choose left or right to enter the water
- Optional items: heightened base, water tray, etc.



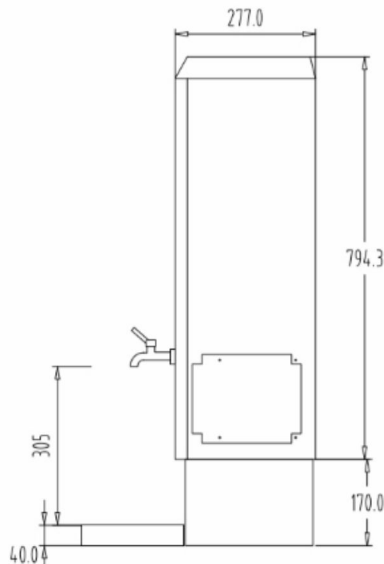
SPECIFICATIONS

Product	Electric Commercial Water Boiler
Model No.	SM-WB-9K
Dimension	L446.5 x D227 x H964.3mm
Capacity	50L
Rated Voltage	220V / 60Hz / 3PH
Rated Power	9000w / 23.7A
Water Output	95 L/H
Water Tap	2
Water Pressure	0.1-0.4Mpa
Material	Stainless steel
Color	Silver

FRONT



SIDE



TOP

