

## One Compartment Sink with no Drain Board

### Features

- ✓ Made with high quality 18 gauge, 304 stainless steel
- ✓ Well polished welded seams
- ✓ Die-stamped creased drainboards for positive drainage
- ✓ Curved corners and rolled edges
- ✓ 6.5" backsplash with 45° return
- ✓ Stainless steel legs, braces, bulletfeet and socket
- ✓ Strainer, drain and overflow included



### Detailed Specifications

Model No.	Bowl Size (LxWxD)	Dimensions (LxWxH)	Drain Boards	WT. (LBS)
SM-S1620	16" x 20" x 12"	21" x 26" x 43"	-	48

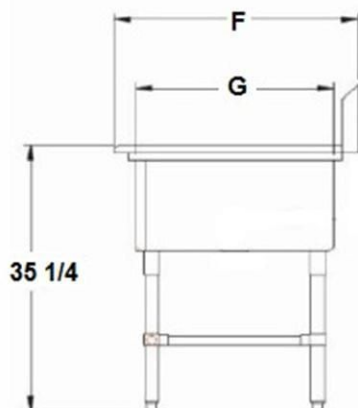
#### SINK DIMENSIONS

Model No.	A	C	D	F	L
SM-S1620	12-1/4"	9"	43"	25-1/2"	21"

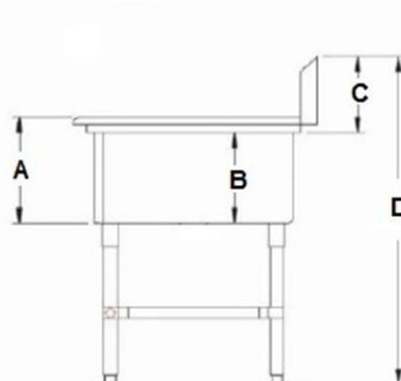
#### BOWL DIMENSIONS

Model No.	LENGTH x WIDTH	B	G
SM-S1620	16" x 20"	12"	20"

#### FRONT



#### SIDE



#### TOP

