

## Electric Rice Cooker

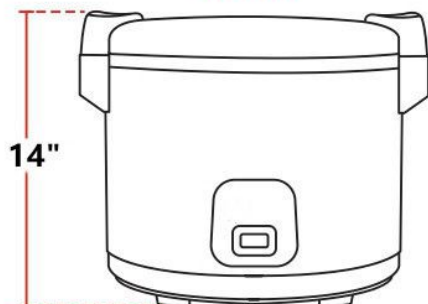
SM-RC30



### SPECIAL FEATURES

- Holds up to 30 cups of raw rice or 60 cups of cooked rice
- Stainless steel body with fingerprint-proof finished
- Inner lid and non-stick inner pot
- Measuring cup, rice scooper and burnt-proof pad included
- Auto keeps warm up to 6 hours

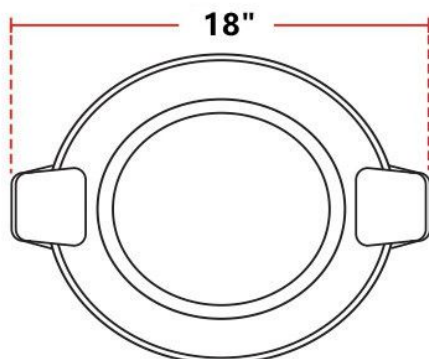
FRONT



### TECHNICAL DATA

- Capacity: 30 cup raw (6L) / 60 cup (18L)
- Electric Rating: 110v/60Hz
- Power: 1650w
- Color: Silver and black
- Product Dimension (W x D x H): 18 x 16 x 14 inch / 458 x 407 x 356 mm
- Package Dimension (W x D x H): 18.5 x 18 x 17 inch / 470 x 458 x 432 mm
- Net Weight: 21lbs / 9.5kg
- Gross Weight: 24.5lbs / 11kg

TOP



5-15P