

## 48" Range with 24" Griddle, 4 Burner & Standard Oven



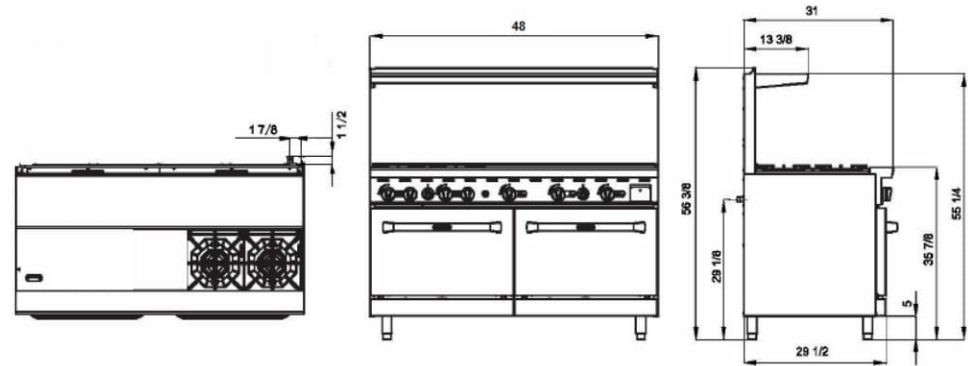
SM-R48-24G-4B



### Features

- Durable fully stainless steel construction
- Includes back guard & high shelf
- 4 burners and 24" griddle independently controlled with stand by pilots
- Heavy cast iron grates for steady cooking temperature
- Adjustable oven rack guides
- Includes 2 chrome racks
- Adjustable stainless steel feet
- Stainless steel plate to catch food drippings
- 3/4" NPT gas inlet manifold
- ETL certified

### Plan View



### Specifications

| Gas type | Intake-tube Pressure (in .W.C.) | Ignition Way | Burner name | Nozzle No | Per BTU B.T.U./h | Burners QTY (pcs) | Total BTU B.T.U./h | Oven QTY | Oven size (inch) | Griddle working area (inch) | Hot plates working area (inch) | Valve Types | Temp. Control | Net Weight (LBS) | Exterior Size (inch) |   |
|----------|---------------------------------|--------------|-------------|-----------|------------------|-------------------|--------------------|----------|------------------|-----------------------------|--------------------------------|-------------|---------------|------------------|----------------------|---|
| NG       | 5                               | Manually     | Hot plates  | NG45      | 25000            | 4                 | 196000             | 2        | 20*26*14         | 24*20 5/8                   | 4pcs<br>11 4/5*11 4/5          | Pilot light | Only the oven | 591              | 48*32 5/8<br>*56 3/8 |   |
|          |                                 |              | Griddle     | U-SHAPE   | NG42             | 27000             |                    |          |                  |                             |                                |             |               |                  |                      | 1 |
|          |                                 |              |             | I-SHAPE   | NG45             | 21000             |                    |          |                  |                             |                                |             |               |                  |                      | 1 |
|          |                                 |              | Oven        | NG44      | 24000            | 2                 |                    |          |                  |                             |                                |             |               |                  |                      |   |
| LP       | 10                              | Manually     | Hot plates  | LP54      | 23000            | 4                 | 188000             | 2        | 20*26*14         | 24*20 5/8                   | 4pcs<br>11 4/5*11 4/5          | Pilot light | Only the oven | 591              | 48*32 5/8<br>*56 3/8 |   |
|          |                                 |              | Griddle     | U-SHAPE   | LP52             | 27000             |                    |          |                  |                             |                                |             |               |                  |                      | 1 |
|          |                                 |              |             | I-SHAPE   | LP54             | 21000             |                    |          |                  |                             |                                |             |               |                  |                      | 1 |
|          |                                 |              | Oven        | LP53      | 24000            | 2                 |                    |          |                  |                             |                                |             |               |                  |                      |   |