

# Modular Type Cube Ice Machine

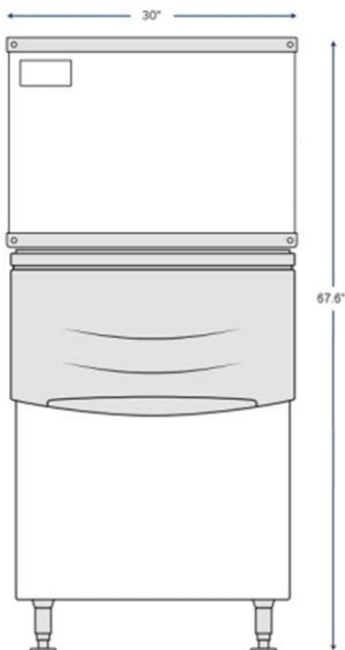


**SM-IM-700**

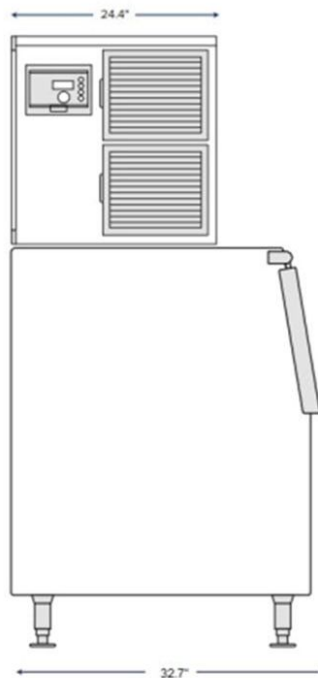


Modular Type Cube Ice Machine		
<b>SM-IM-700</b>	Dimension(L*W*H)mm	760 x 830 x 1718
	Dimension(L*W*H)inch	30 x 32.7 x 67.6
	Output(lb/24hr)	700lb=318kg
	Bin Capacity (lb)	275lb=125kg
	Voltage (V/Hz)	220/60
	Power	220V/60/1ø, 1420w
	Condenser	Air Cool
	Refrigerant	R404A
	Net Weight of Main Machine(kg)	66
	Net Weight of Ice Bin(kg)	45
	Gross Weight of Main Machine(kg)	71
	Gross Weight of Ice Bin(kg)	50

FRONT VIEW



SIDE VIEW



TOP VIEW

