

Modular Type Cube Ice Machine

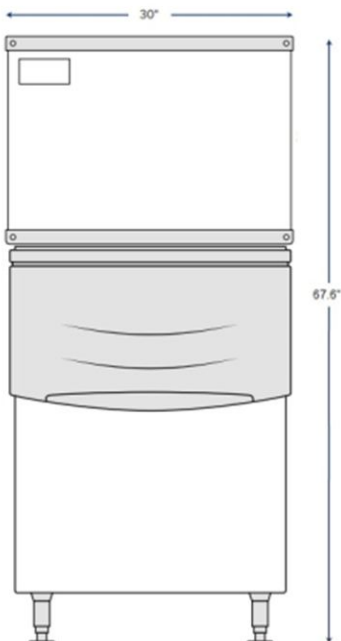


SM-IM-500

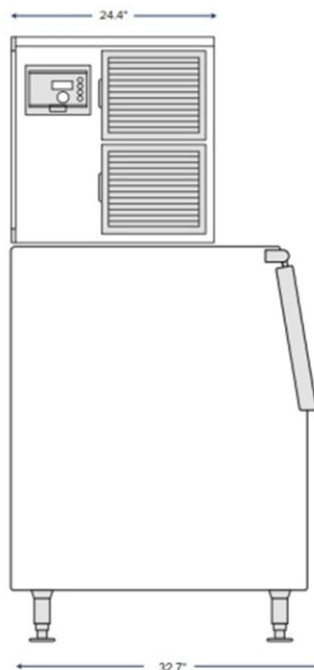


Modular Type Cube Ice Machine		
SM-IM-500	Dimension(L*W*H)mm	760 x 830 x 1718
	Dimension(L*W*H)inch	30 x 32.7 x 67.6
	Output(lb/24hr)	500lb=227kg
	Bin Capacity (lb)	275lb=125kg
	Voltage (V/Hz)	115/60
	Power	115V/60/1ø, 1240w
	Condenser	Air Cool
	Refrigerant	R404A
	Net Weight of Main Machine(kg)	66
	Net Weight of Ice Bin(kg)	45
	Gross Weight of Main Machine(kg)	70
	Gross Weight of Ice Bin(kg)	50

FRONT VIEW



SIDE VIEW



TOP VIEW

