

# Modular Type Cube Ice Machine

## Modular Type Cube Ice Machine

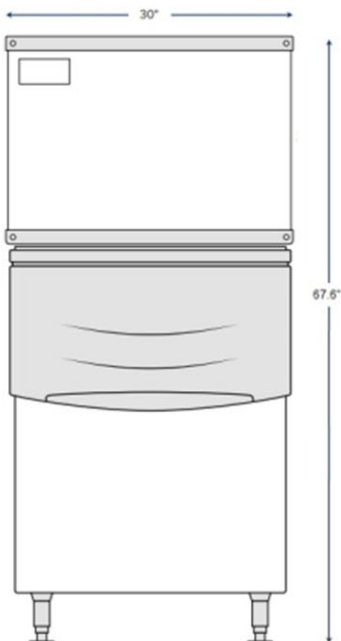
<b>SM-IM-1000</b>	Dimension(L*W*H)mm	760 x 830 x 1718
	Dimension(L*W*H)inch	30 x 32.7 x 67.6
	Output(lb/24hr)	1000lb=455kg
	Bin Capacity (lb)	275lb=125kg
	Voltage (V/Hz)	220/60
	Power	220V/60/1ø, 2300w
	Condenser	Air Cool
	Refrigerant	R404A
	Net Weight of Main Machine(kg)	85
	Net Weight of Ice Bin(kg)	45
	Gross Weight of Main Machine(kg)	90
	Gross Weight of Ice Bin(kg)	50



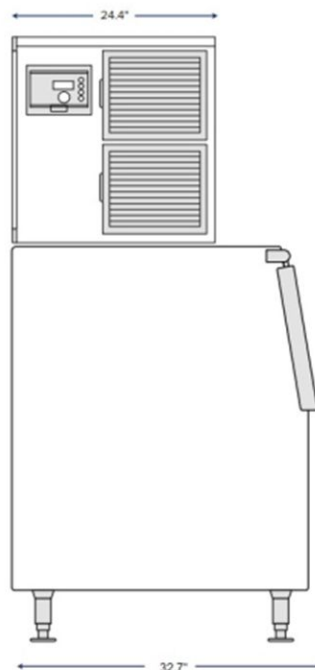
**SM-IM-1000**



FRONT VIEW



SIDE VIEW



TOP VIEW

