

## Two Compartment Sink with no Drain Board

### Features

- ✓ Made with high quality 304 stainless steel
- ✓ Well polished welded seams
- ✓ Die-stamped creased drainboards for positive drainage
- ✓ Curved corners and rolled edges
- ✓ Wall bracket, drain, and overflow included
- ✓ Stainless steel legs, braces, bulletfeet and socket
- ✓ 8" faucet width
- ✓ 6.5" backsplash with 45° return



**SM-D2020-0**



### Detailed Specifications

Model No.	Bowl Size (LxWxD)	Dimensions (LxWxH)	Drain Boards	WT. (LBS)
SM-D2020-0	20" x 20" x 12"	45-1/2" x 26" x 43"	-	120

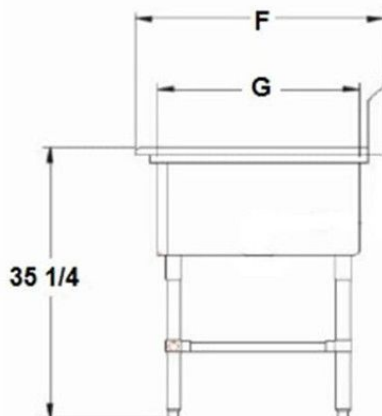
#### SINK DIMENSIONS

Model No.	A	C	D	F	L
SM-D2020-0	12-1/4"	9"	43"	25-1/2"	45-1/2"

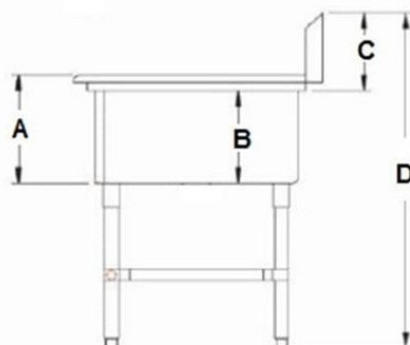
#### BOWL SIZES

Model No.	LENGTH x WIDTH	B	G
SM-D2020-0	20" x 20"	12"	20"

#### FRONT



#### SIDE



#### TOP

