

Two Compartment Sink with Left and Right Drain Boards

Features

- ✓ Made with high quality 304 stainless steel
- ✓ Well polished welded seams
- ✓ Die-stamped creased drainboards for positive drainage
- ✓ Curved corners and rolled edges
- ✓ Wall bracket, drain, and overflow included
- ✓ Stainless steel legs, braces, bulletfeet and socket
- ✓ 8" faucet width
- ✓ 6.5" backsplash with 45° return



SM-D2020-LR

Detailed Specifications

MODEL	BOWL SIZE (LxWxD)	DIMENSIONS	DRAIN BOARDS	WT. (LBS)
SM-D2020-LR	20" x 20" x 12"	76" x 23-1/2" x 43"	20"	315

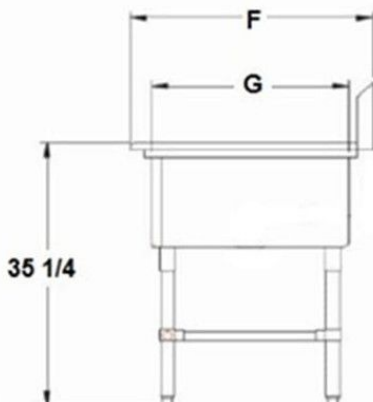
SINK DIMENSIONS

MODEL	A	C	D	F	L
SM-D2020-LR	14-1/4"	9"	43"	25-1/2"	76"

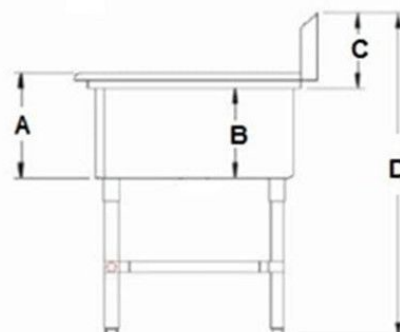
BOWL SIZES

MODEL	LENGTH x WIDTH	B	G
SM-D2020-LR	20" x 20"	12"	20"

FRONT



SIDE



TOP

