

Two Compartment Sink with no Drain Board

Features

- ✓ Made with high quality 304 stainless steel
- ✓ Well polished welded seams
- ✓ Die-stamped creased drainboards for positive drainage
- ✓ Curved corners and rolled edges
- ✓ Wall bracket, drain, and overflow included
- ✓ Stainless steel legs, braces, bulletfeet and socket
- ✓ 8" faucet width
- ✓ 6.5" backsplash with 45° return



Detailed Specifications

Model No.	Bowl Size (LxWxD)	Dimensions (LxWxH)	Drain Boards	WT. (LBS)
SM-D1620	16" x 20" x 12"	37" x 26" x 43"	-	112

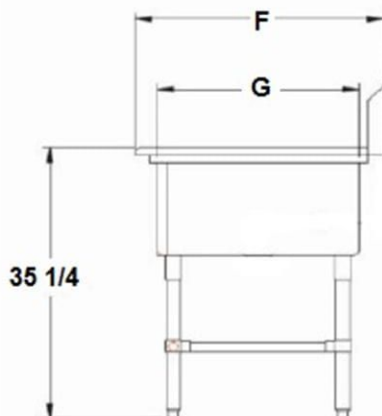
SINK DIMENSIONS

Model No.	A	C	D	F	L
SM-D1620	12-1/4"	9"	43"	25-1/2"	37"

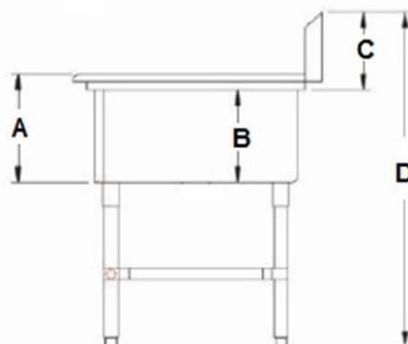
BOWL SIZES

Model No.	LENGTH x WIDTH	B	G
SM-D1620	16" x 20"	12"	20"

FRONT



SIDE



TOP

