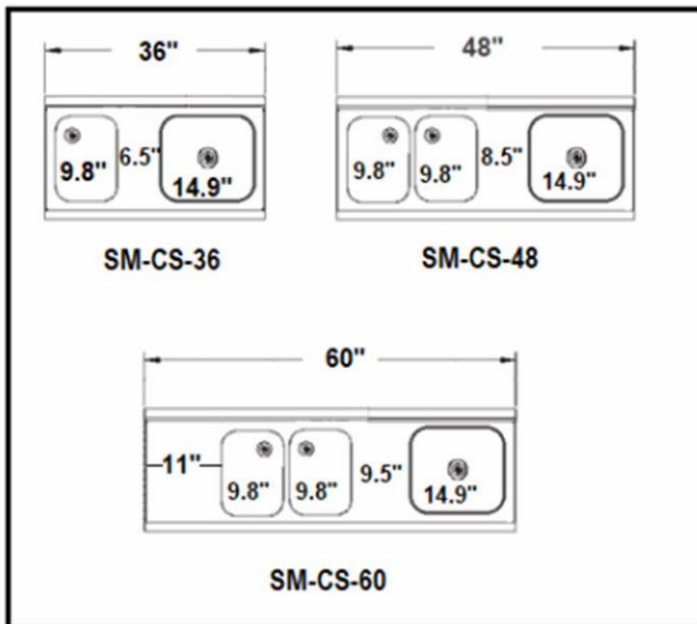


60" Cocktail Bar Sink

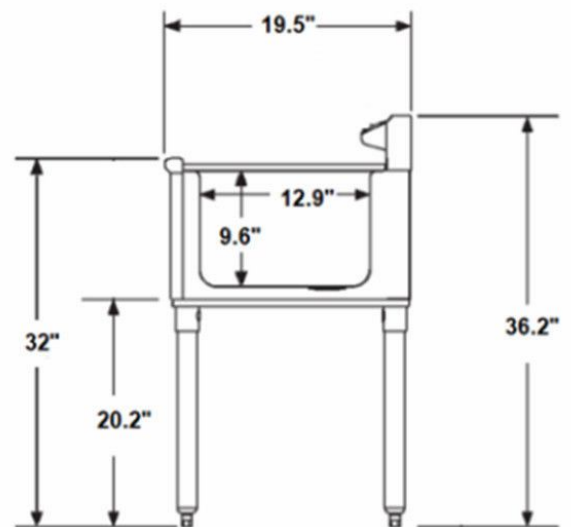


SM-CS-60

Cocktail Sink 19-1/2"X60"X32"H with 4-2/5" backsplash
 2 tubs, Right ice bin with foam insulation
 18GA.304S/S bowls
 18GA.304S/S top, apron & support channel
 18GA 304S/S perforated panel
 18GA 304S/S full welded single speed rail
 Corner drain with 1.5" drain basket, 8" overflow pipe
 18GA.304S/S gussets included
"H" shape leg bracing, S/S leg and socket, S/S bullet feet
 Carton box packing



TOP VIEW



SIDE VIEW