

## Three Compartment Sink with Left / Right Drain Board

### Features

- ✓ Made with high quality 18 gauge, 304 stainless steel
- ✓ Well polished welded seams
- ✓ Die-stamped creased drainboards for positive drainage
- ✓ Curved corners and rolled edges
- ✓ 6.5" backsplash with 45° return
- ✓ Wall bracket, drain, and overflow included
- ✓ Stainless steel legs, braces, and bulletfeet
- ✓ 8" faucet width



### Detailed Specifications

MODEL	BOWL SIZE (LxWxD)	DIMENSIONS	DRAIN BOARDS	WT. (LBS)
SM-T1818-L	18" x 18" x 11"	74-1/2" x 23-1/2"	18	182
SM-T1818-R	18" x 18" x 11"	74-1/2" x 23-1/2"	18	182
SM-T2424-L	24" x 24" x 14"	98-1/2" x 29-1/2"	24	221
SM-T2424-R	24" x 24" x 14"	98-1/2" x 29-1/2"	24	221

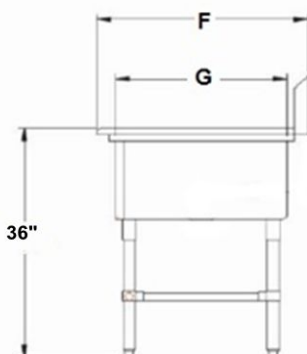
#### SINK DIMENSIONS

MODEL	A	C	D	F	L
SM-T1818-L	14-1/4"	9"	43"	23-1/2"	74-1/2"
SM-T1818-R	14-1/4"	9"	43"	23-1/2"	74-1/2"
SM-T2424-L	17-1/4"	9"	43"	29-1/2"	98-1/2"
SM-T2424-R	17-1/4"	9"	43"	29-1/2"	98-1/2"

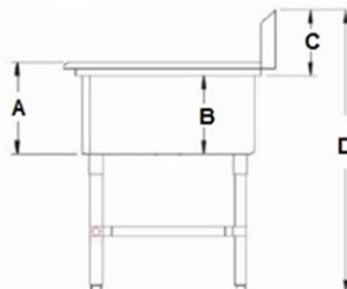
#### BOWL DIMENSIONS

MODEL	LENGTH x WIDTH	B	G
SM-T1818-L	18" x 18"	11"	18"
SM-T1818-R	18" x 18"	11"	18"
SM-T2424-L	24" x 24"	14"	24"
SM-T2424-R	24" x 24"	14"	24"

#### FRONT



#### SIDE



#### TOP

