

Three Compartment Sink with no Drain Board

Features

- ✓ Made with high quality 18 gauge, 304 stainless steel
- ✓ Well polished welded seams
- ✓ Die-stamped creased drainboards for positive drainage
- ✓ Curved corners and rolled edges
- ✓ 6.5" backsplash with 45° return
- ✓ Wall bracket, drain, and overflow included
- ✓ Stainless steel legs, braces, and bulletfeet
- ✓ 8" faucet width



Detailed Specifications

MODEL	BOWL SIZE (LxWxD)	DIMENSIONS	DRAIN BOARDS	WT. (LBS)
SM-T1818-0	18" x 18" x 11"	59" x 23-1/2"	-	119
SM-T2424-0	24" x 24" x 14"	77" x 29-1/2"	-	169

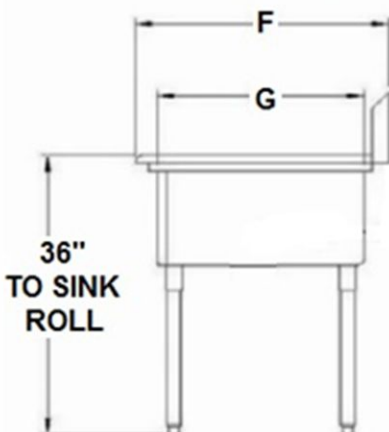
SINK DIMENSIONS

MODEL	A	C	D	F	L
SM-T1818-0	14-1/4"	9"	43"	23-1/2"	59"
SM-T2424-0	17-1/4"	9"	43"	29-1/2"	77"

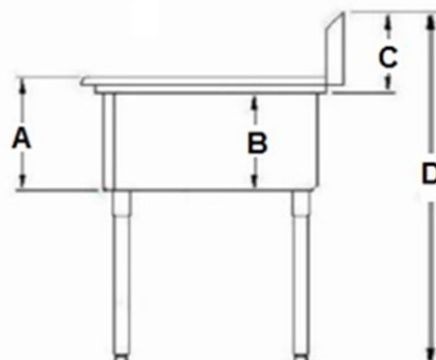
BOWL DIMENSIONS

MODEL	LENGTH x WIDTH	B	G
SM-T1818-0	18" x 18"	11"	18"
SM-T2424-0	24" x 24"	14"	24"

FRONT



SIDE



TOP

