

## Two Compartment Sink with Left and Right Drain Boards

### Features

- ✓ Made with high quality 304 stainless steel
- ✓ Well polished welded seams
- ✓ Die-stamped creased drainboards for positive drainage
- ✓ Curved corners and rolled edges
- ✓ Wall bracket, drain, and overflow included
- ✓ Stainless steel legs, braces, bulletfeet and socket
- ✓ 8" faucet width
- ✓ 6.5" backsplash with 45° return



### Detailed Specifications

MODEL	BOWL SIZE (LxWxD)	DIMENSIONS	DRAIN BOARDS	WT. (LBS)
SM-D1818-LR	18" x 18" x 11"	72" x 23-1/2"	18"	300
SM-D2424-LR	24" x 24" x 14"	96" x 29-1/2"	24"	328

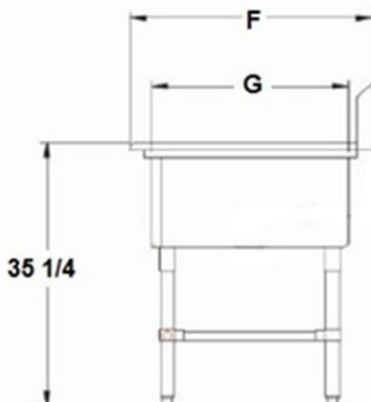
#### SINK DIMENSIONS

MODEL	A	C	D	F	L
SM-D1818-LR	14-1/4"	9"	43"	23-1/2"	72"
SM-D2424-LR	17-1/4"	9"	43"	29-1/2"	96"

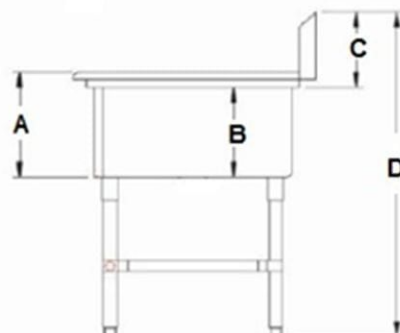
#### BOWL SIZES

MODEL	LENGTH x WIDTH	B	G
SM-D1818-LR	18" x 18"	11"	18"
SM-D2424-LR	24" x 24"	14"	24"

#### FRONT



#### SIDE



#### TOP

