

Two Compartment Sink with Left/Right Drain Board

Features

- ✓ Made with high quality 304 stainless steel
- ✓ Well polished welded seams
- ✓ Die-stamped creased drainboards for positive drainage
- ✓ Curved corners and rolled edges
- ✓ Wall bracket, drain, and overflow included
- ✓ Stainless steel legs, braces, bulletfeet and socket
- ✓ 8" faucet width
- ✓ 6.5" backsplash with 45° return



Detailed Specifications

MODEL	BOWL SIZE (LxWxD)	DIMENSIONS	DRAIN BOARDS	WT. (LBS)
SM-D1818-L	18" x 18" x 11"	56" x 23-1/2"	18	275
SM-D1818-R	18" x 18" x 11"	56" x 23-1/2"	18	275
SM-D2424-L	24" x 24" x 14"	74" x 29-1/2"	24	331
SM-D2424-R	24" x 24" x 14"	74" x 29-1/2"	24	331

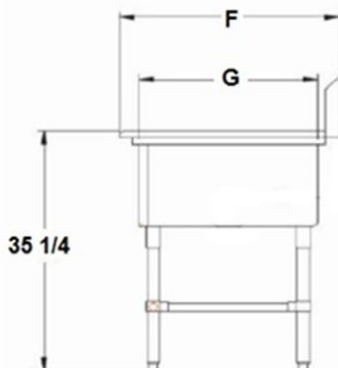
SINK DIMENSIONS

MODEL	A	C	D	F	L
SM-D1818-L	14-1/4"	9"	43"	23-1/2"	56"
SM-D1818-R	14-1/4"	9"	43"	23-1/2"	56"
SM-D2424-L	17-1/4"	9"	43"	29-1/2"	74"
SM-D2424-R	17-1/4"	9"	43"	29-1/2"	74"

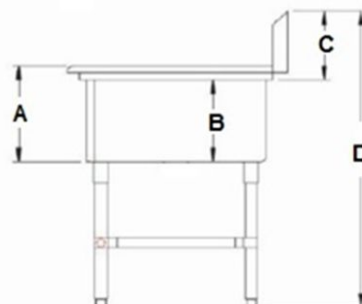
BOWL SIZES

MODEL	LENGTH x WIDTH	B	C
SM-D1818-L	18" x 18"	11"	18"
SM-D1818-R	18" x 18"	11"	18"
SM-D2424-L	24" x 24"	14"	24"
SM-D2424-R	24" x 24"	14"	24"

FRONT



SIDE



TOP

