

## Two Compartment Sink with no Drain Board

### Features

- ✓ Made with high quality 304 stainless steel
- ✓ Well polished welded seams
- ✓ Die-stamped creased drainboards for positive drainage
- ✓ Curved corners and rolled edges
- ✓ Wall bracket, drain, and overflow included
- ✓ Stainless steel legs, braces, bulletfeet and socket
- ✓ 8" faucet width
- ✓ 6.5" backsplash with 45° return



### Detailed Specifications

MODEL	BOWL SIZE (LxWxD)	DIMENSIONS	DRAIN BOARDS	WT. (LBS)
SM-D1818-0	18" x 18" x 11"	41" x 23-1/2"	-	116
SM-D2424-0	24" x 24" x 14"	53" x 29-1/2"	-	165

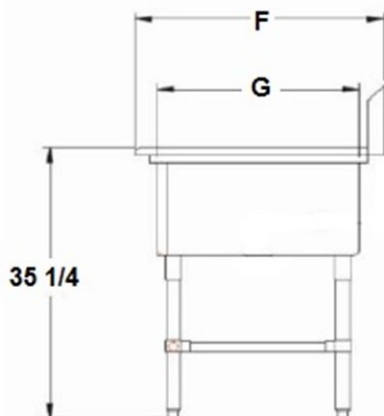
#### SINK DIMENSIONS

MODEL	A	C	D	F	L
SM-D1818-0	14-1/4"	9"	43"	23-1/2"	41"
SM-D2424-0	17-1/4"	9"	43"	29-1/2"	53"

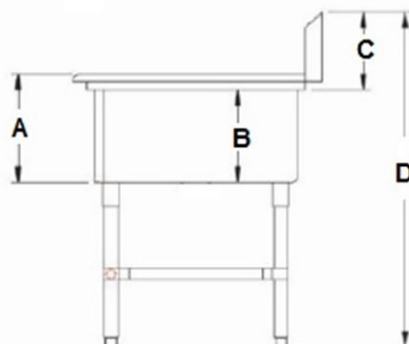
#### BOWL SIZES

MODEL	LENGTH x WIDTH	B	G
SM-D1818-0	18" x 18"	11"	18"
SM-D2424-0	24" x 24"	14"	24"

#### FRONT



#### SIDE



#### TOP

