

## One Compartment Sink with Left/Right Drain Board

### Features

- ✓ Made with high quality 18 gauge, 304 stainless steel
- ✓ Well polished welded seams
- ✓ Die-stamped creased drainboards for positive drainage
- ✓ Curved corners and rolled edges
- ✓ 6.5" backsplash with 45° return
- ✓ Stainless steel legs, braces and bulletfeet
- ✓ Strainer, drain and overflow included



### Detailed Specifications

MODEL	BOWL SIZE (LxWxD)	DIMENSIONS	DRAIN BOARDS	WT. (LBS)
SM-S1818-L	18" x 18" x 11"	38-1/2" x 23-1/2"	18	62
SM-S1818-R	18" x 18" x 11"	38-1/2" x 23-1/2"	18	62
SM-S2424-L	24" x 24" x 14"	50-1/2" x 29-1/2"	24	95
SM-S2424-R	24" x 24" x 14"	50-1/2" x 29-1/2"	24	95

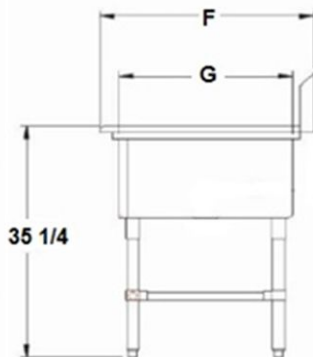
#### SINK DIMENSIONS

MODEL	A	C	D	F	L
SM-S1818-L	14-1/4"	9"	43"	23-1/2"	38-1/2"
SM-S1818-R	14-1/4"	9"	43"	23-1/2"	38-1/2"
SM-S2424-L	17-1/4"	9"	43"	29-1/2"	50-1/2"
SM-S2424-R	17-1/4"	9"	43"	29-1/2"	50-1/2"

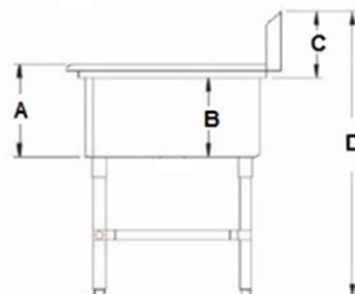
#### BOWL SIZES

MODEL	LENGTH x WIDTH	B	G
SM-S1818-L	18" x 18"	11"	18"
SM-S1818-R	18" x 18"	11"	18"
SM-S2424-L	24" x 24"	14"	24"
SM-S2424-R	24" x 24"	14"	24"

#### FRONT



#### SIDE



#### TOP

