

4-in-1 Gas Noodle Cooker/Dim Sum Steamer/4-Layer Rice Noodle Steamer



Model#: SML-0100B5

Dimension: W 21" (540mm) * D 33" (850mm) * H 49" (1250mm=810mm + 440mm)

Power: 110,000 BTU (32KW)

NewTop gas 4-in-1 noodle cooker uses 23 jet burner and stainless steel hot water pot. It can be converted into dim sum steamer with 6.5"/8" steamer. Put 4-layer of rice noodle steam cabinet to turn it into a rice noodle steamer.



9-Hole Gas Noodle Cooker



6.5" Dim Sum Steamer



8" Dim Sum Steamer



4-layer of Rice Noodle Steam Cabinet

Accessories:



8-inch Steaming Rack
W 463*D 590mm, hole Φ 80mm



6.5-inch Steaming Rack
W 460*D 585mm, hole Φ 80mm



4-layer Rice Noodle Steam Cabinet
W 450*D 515*H 350mm



13.2cm Noodle Strainer with Hook

Custom options:

The position of the air inlet: on the left or right side of the front.

The position of the drain: on the left or right side of the front row. (The drain is usually on the other side of the air inlet).

-3" (80mm) or 5" (130mm) dim sum steamer

-Special stove size can be customized

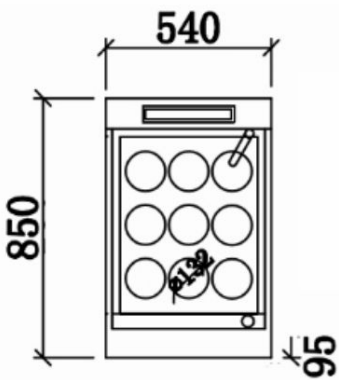
-16 jet burner or 32 jet burner

-Install additional manual faucet

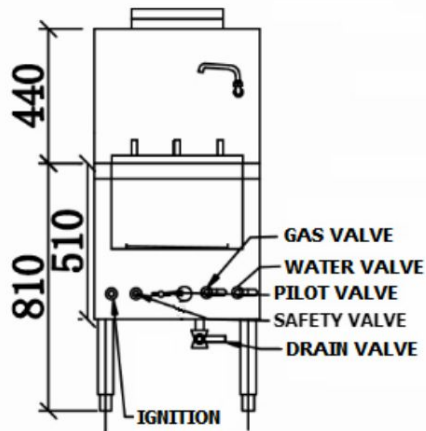
-Install side stainless steel baffle



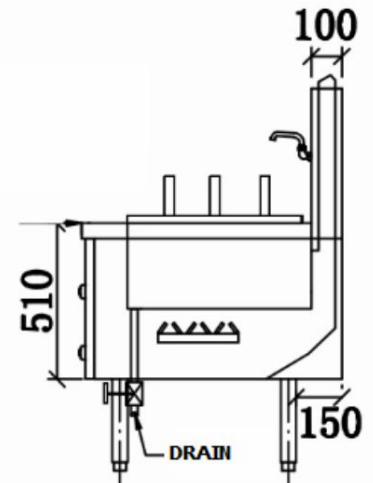
TOP VIEW



FRONT VIEW



SIDE VIEW



Safety notice:

It can only be placed on non-combustible floors. When the side or back is a non-flammable object, the placement gap can be zero. When there are combustible objects on the side or back, the clearance must be at least 8 inches (203mm).