

Product Manual  
&  
Install Guide  
**FGISquare300WiFi**



The FGISquare300WiFi is an indoor grow light fixture scientifically designed to replicate the light of the sun with appropriate PAR (photosynthetically active radiation) levels for plant growth.

Brought to you by Forever Green Indoors, home of FGI brand LED grow lights



forever **green** indoors  
horticultural technology solutions

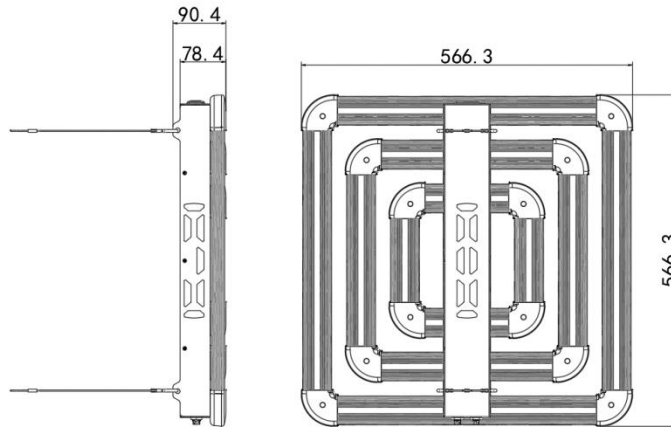
Forever Green Indoors 1314 S. Grand Blvd, Suite 2-127, Spokane, WA 99202  
1-800-630-7345

FGI is a registered Trademark of Forever Green Indoors

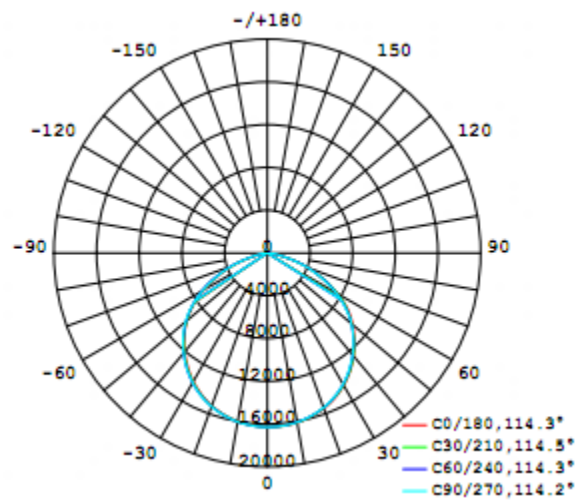
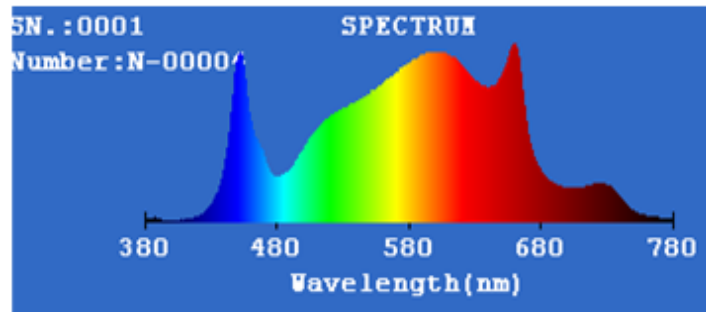
## Product parameters

<b>Product model:</b> FGI Square Grow Light Series			
<b>Input voltage</b>	100-240V,50/60Hz	<b>Spectrum</b>	R/W/FR
<b>Power</b>	300W	<b>Waterproof level</b>	IP20
<b>Power factor</b>	>0.95	<b>System efficiency</b>	2.3umol/J
<b>Life span</b>	>50000h	<b>Light angle</b>	110°
<b>Cord type</b>	IEC Plug	<b>Recommended installation height</b>	12” Reproductive phase 24” Veg phase
<b>Plug Type</b>	110V Plug Included	<b>Net weight</b>	11.4 lbs
<b>Work temperature</b>	-20°C - +40°C	<b>Warranty</b>	3 Years

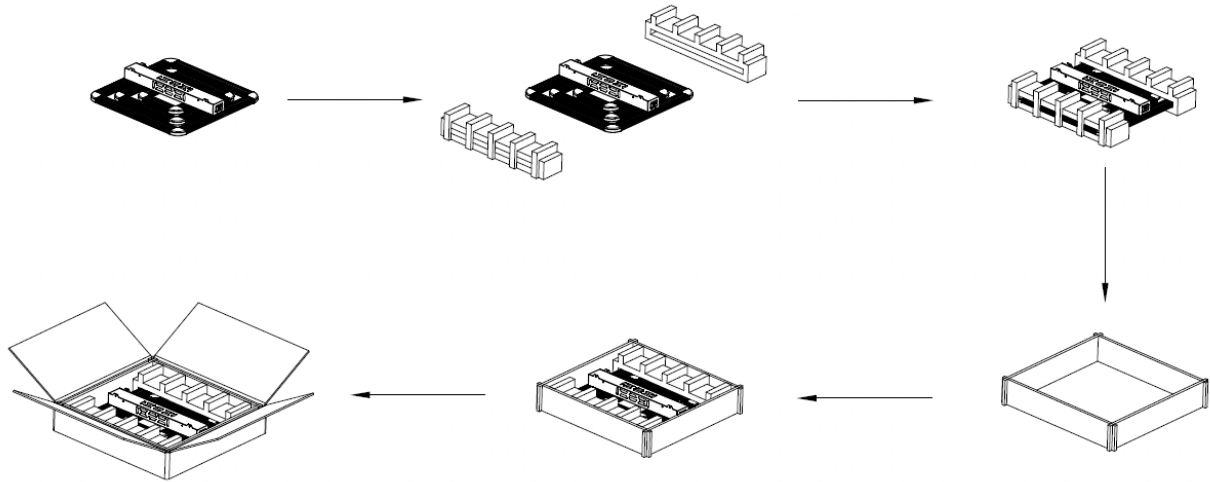
## Physical Dimensions



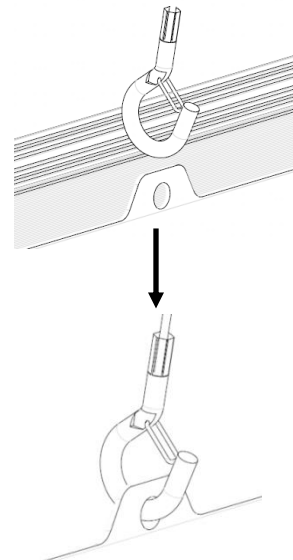
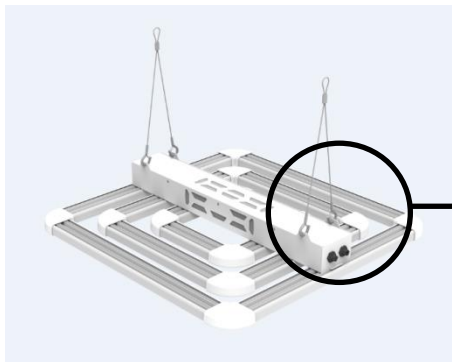
## Spectrum and Light Curve



## Unpacking & Installing



Insert wire rope hook into eye holes on the top of the fixture. Attach the top of the steel rope to a suitable hanging point that is capable of handling the weight of the light



## Precautions

Before using your new FGI Grow Light, please read this manual thoroughly to ensure that you know how to operate the features and functions that your new lamp offers safely and efficiently.

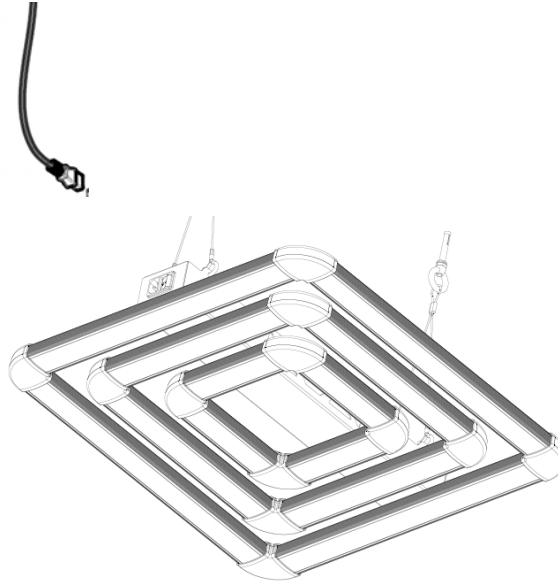
This light is not intended for use by persons (including children) with reduced physical, sensory, or mental capabilities, or those who lack experience and knowledge, unless they have been given supervision or instruction concerning the use of the lamp by a person responsible for their safety.

If you have any question, contact us at 1-800-630-7345 or find help and information online at [www.forevergreenindoors.com](http://www.forevergreenindoors.com)

- Do not install light in a wet location or place where it may come in direct contact with running water.
- Deteriorated insulation on electrical parts may cause an electric shock or fire.
- Do not place this light in direct heat from room heaters.
- Do not plug several lights into the same multiple power strip. The light should always be plugged into its own individual electrical outlet which has a voltage rating that matches the voltage listed on the electrical rating. This provides the best performance and also prevents overloading of house wiring circuits, which could cause a fire hazard from overheated wires.
- Do not use a power cord that has cracks or abrasion damage along its length or at either end.
- Do not bend the power cord excessively or place heavy objects on it.
- Do not twist or tie the power cord.
- Never unplug your light by pulling on the power cord.
- The light must be safely grounded. Always make sure that you have grounded the light before attempting to investigate or repair any part of the unit.
- Power leakages can cause severe electric shock.
- Never use gas pipes, telephone lines, or other potential lightning attractors as an electrical ground.
- Improper use of the grounding plug can result in a risk of electric shock.
- If it is necessary to use an extension cord, use only a 3-wire extension cord that has a 3-blade grounding plug and
- The marked rating of the extension cord should be AC 115-120 V, 10 A, or more.
- If a grounding adapter is used, make sure the receptacle box is fully grounded.
- Plug the power plug into the wall socket firmly. Do not use a damaged power plug, damaged power cord, or loose wall socket. This may result in an electric shock or fire.
- You need to remove all the protective plastic film before you initially plug the product in.
- Do not spray the light with chemicals. Clean the light with a damp cloth using water only.
- Before cleaning or performing maintenance, unplug the light from the wall socket, or turn off at the breaker.

## Electrical Connection

Connecting the plug. Connect the female end of the plug to the on-board receptacle.  
Connect the 110V plug to an appropriate outlet. Do not daisy chain this light.



## **FGISquare300WiFi**

LED lighting fixture

Model:LFHC300QWRFK02

Power:300W

Input voltage:100-240Vac,50/60Hz

Input current:1.32-3.16A

Power factor:0.95

Light efficiency:2.3 $\mu$ mol/J

