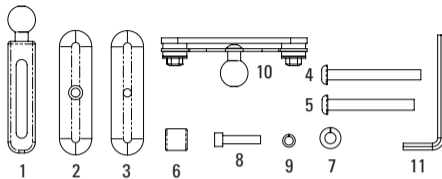


# ADAPTIV MOTORCYCLE ACCESSORY MOUNT™

## CONTROL MOUNT INSTALLATION

ADAPTIV  
TECHNOLOGIES

### CONTENTS



Item No.	Name	Qty.
1	Control Mount Base	1
2	Left Link	1
3	Right Link	1
4	Control Screw (Standard)	2
5	Control Screw (Metric)	2
6	Control Spacer	2
7	Control Lock Washer	2
8	Positioning Screw	1
9	Positioning Lock Washer	1
10	Mounting Plate	1
11	5/32" Hex Key	1

This mount is designed for motorcycles with clutch, front brake, or reservoir control screws spaced 1 9/16" or less apart.



**Warning:** Installation of the mount should be performed by a qualified technician. Improper installation may interfere with the safety and proper operation of the product and/or vehicle.

1. Place the motorcycle on a center stand.
2. Remove the two stock clutch, front brake, or brake reservoir screws from the Control Assembly as shown in **Figure 1**.

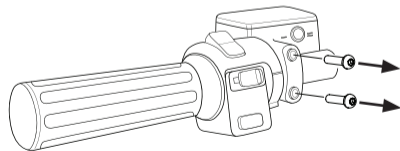


Figure 1

3. Using the 5/32" Hex Key, remove the Positioning Screw and Positioning Lock Washer to disassemble the mount as shown in **Figure 2**.

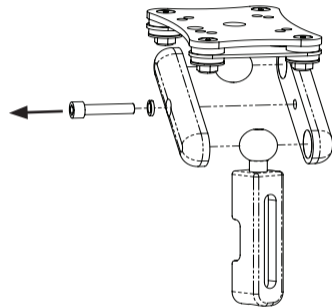
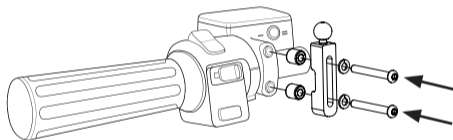


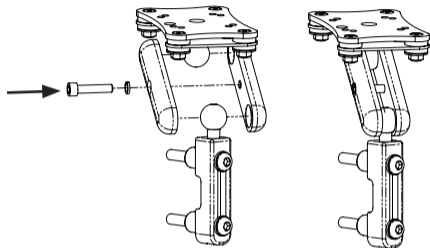
Figure 2

4. Using the  $5/32$ " Hex Key, fasten the *Control Mount Base* to the *Control Assembly* using the supplied *Control Spacers*, *Control Screws* and *Control Lock Washers* as shown in **Figure 3**.



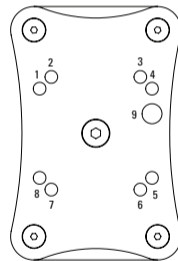
**Figure 3**

5. Using the  $5/32$ " Hex Key, loosely reassemble the top portion of the mount as shown in **Figure 4**.



**Figure 4**

6. Fasten the accessory device or cradle to the top of the *Mounting Plate* (**Figure 5**) utilizing appropriate hardware. The eight "AMPS" pattern holes (1-8) will accommodate #8 or M4 screws. The larger hole (9) will accommodate a  $1/4$ " or M6 screw. Alternatively, double sided adhesive tape or hook and loop fastener may be used.



**Figure 5**

7. Adjust the mount to the desired position and tighten the *Positioning Screw* to lock the assembly in place.



**Warning:** Verify that the position of the mount and accessory will not interfere with proper operation of the vehicle.



**Warning:** Make sure all screws and nuts are securely tightened before each ride so that the assembly will not move during use.

---

**Adaptiv Technologies, LLC**

1639 11th Street  
Suite 156  
Santa Monica, CA 90404

[www.AdaptivTech.com](http://www.AdaptivTech.com)

866-ADAPTIV  
(866-232-7848)  
646-722-0253