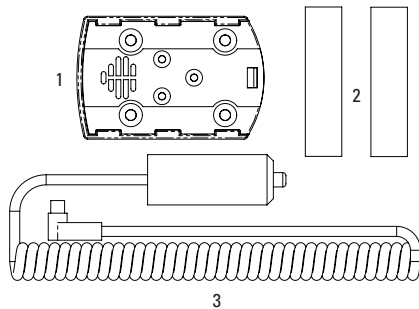


TPX™

**AUTOMOTIVE MOUNT
INSTALLATION**

ADAPTIV™
TECHNOLOGIES

CONTENTS



<i>Item No.</i>	<i>Name</i>	<i>Qty.</i>
1	<i>Mounting Plate</i>	1
2	<i>Hook and Loop Fastener</i>	2
3	<i>Automotive Power Cord</i>	1

This Mount is designed to be used in most cars, light trucks, or SUVs.

1. Locate an available space on the dashboard.
2. Affix the *Mounting Plate* to the dashboard with the supplied *Hook and Loop Fastener* as shown in **Figure 1**.

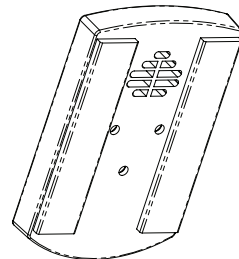


Figure 1

3. Slide the Main Console (sold separately) onto the *Mounting Plate* as shown in **Figure 2**.

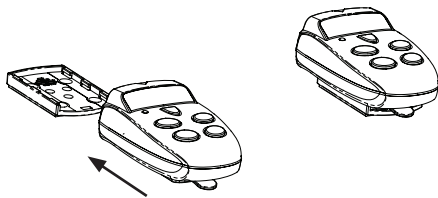


Figure 2



Tip: For optimal performance, the Main Console should be horizontal to the ground and should not be obstructed.



Warning: Verify that the position of the Main Console and Mount will not interfere with proper operation of the vehicle.

Adaptiv Technologies, LLC

1639 11th Street

Suite 156

Santa Monica, CA 90404

www.RadarForBikes.com

866-ADAPTIV

(866-232-7848)

646-722-0253