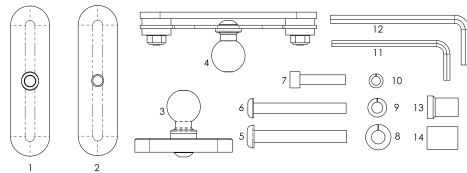


# ADAPTIV<sup>TM</sup> MOTORCYCLE ACCESSORY MOUNT

## HORIZONTAL CONTROL MOUNT INSTALLATION

ADAPTIV<sup>TM</sup>  
TECHNOLOGIES

### Contents



Item No.	Name	Quantity
1	Link Left	1
2	Link Right	1
3	Horizontal Control Base	1
4	Mounting Plate	1
5	M6 Screw	2
6	M5 Screw	2
7	Positioning Screw	2
8	M6 Lock Washer	2
9	M5 Lock Washer	2
10	Positioning Lock Washer	1
11	3mm Hex Key	1
12	5/32" Hex Key	1
12	M5 Spacer	2
12	M6 Spacer	2

This mount is designed to work with motorcycles that have M5 or M6 vertical pinch bolts spaced 30mm apart on either the brake or clutch assembly. This includes many BMW and Ducati Motorcycles.



**Warning: Installation of the mount should be performed by a qualified technician. Improper installation may interfere with the safety and proper operation of the product and/or vehicle.**

1. Place the motorcycle on a center stand.
2. Using the 5/32" Hex Key, remove the *Positioning Screw* and *Positioning Lock Washer* to disassemble the mount as shown in Figure 1.

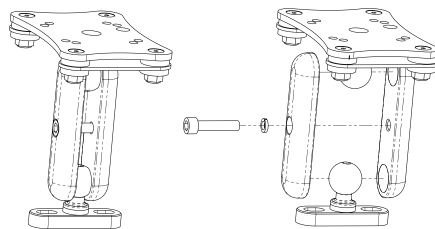


Figure 1

3. Remove the two factory-installed pinch bolts on the clutch or brake assembly. These screws will not be re-used. Determine whether the removed screws are M5 or M6 by comparing diameter and threads to screws supplied with mount.
4. Using the appropriate hex key, assemble the Base to the Clutch or Brake Assembly with the M5 Screws, M5 Lock Washers, and M5 Spacers or M6 Screws, M6 Lock Washers, and M6 Spacers as shown in Figure 2.

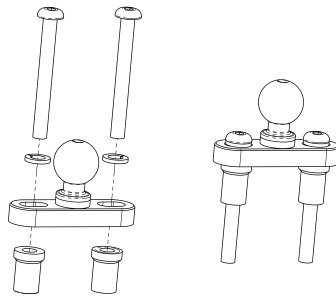


Figure 2

5. Using the 5/32" Hex Key, loosely reassemble the mount as shown in Figure 3.

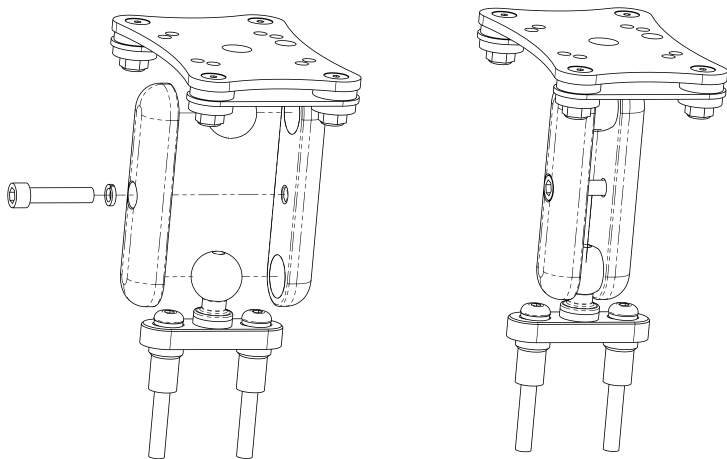
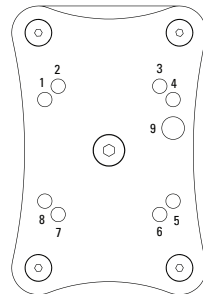


Figure 3

6. Fasten the accessory device or cradle to the top of the *Mounting Plate* utilizing appropriate hardware. The eight "AMPS" pattern holes (1-8) will accommodate #8 or M4 screws. The larger hole (9) will accommodate a 1/4" or M6 screw. Alternatively, double sided adhesive tape or hook and loop fastener may be used.



*Mounting Plate Holes*

7. Adjust the mount to the desired position and tighten the *Positioning Screw* to lock the assembly in place.



**Warning:** Verify that the position of the mount and accessory will not interfere with proper operation of the vehicle



**Warning:** Make sure all screws and nuts are securely tightened before each ride so that the assembly will not move during use.

**Adaptiv Technologies**

1639 11th Street  
Suite 156  
Santa Monica, CA 90404

[www.AdaptivTech.com](http://www.AdaptivTech.com)

866-ADAPTIV  
(866-232-7848)  
646-722-0253