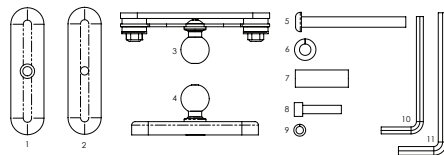


ADAPTIV[™] MOTORCYCLE ACCESSORY MOUNT

STABILIZER MOUNT TYPE S INSTALLATION

ADAPTIV[™]
TECHNOLOGIES

CONTENTS



Item No.	Name	Quantity
1	Link Left	1
2	Link Right	1
3	Mounting Plate	1
4	Base Plate	1
5	M6 x 60mm Screw	2
6	M6 Lock Washer	2
7	Spacer	2
8	Positioning Screw	1
9	Positioning Lock Washer	1
10	5/32" Hex Key	1
11	5mm Hex Key	1

This mount is designed for attachment to Scotts brand Steering Stabilizers.



Warning: Installation of the mount should be performed by a qualified technician. Improper installation may interfere with the safety and proper operation of the product and/or vehicle.

1. Place the motorcycle on a center stand.
2. Using the *5mm Hex Key*, remove the two large screws that fasten the Stabilizer to the bike as shown in Figure 1. These screws will not be reused.

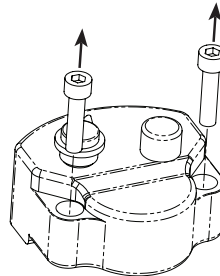


Figure 1

3. Using the *5/32" Hex Key*, fasten the *Base Plate* and *Stabilizer* to the bike with the *Spacers*, *M6 Lock Washers*, and *M6 Screws* as shown in Figure 2.

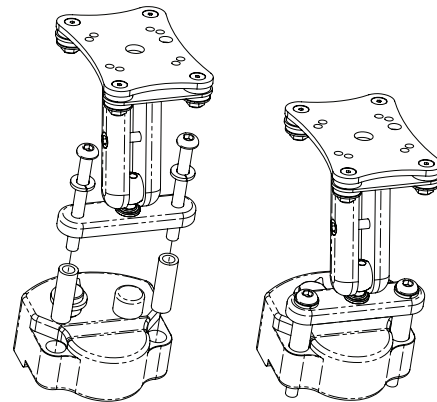


Figure 2

4. Use the $5/32$ " Hex Key to loosen the *Positioning Screw* as shown in Figure 3.

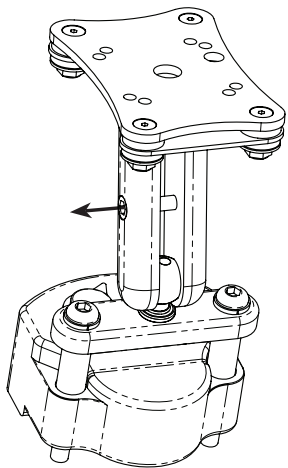
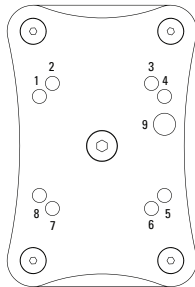


Figure 3

5. Fasten the accessory device or cradle to the top of the *Mounting Plate* utilizing appropriate hardware. The eight "AMPS" pattern holes (1-8) will accommodate #8 or M4 screws. The larger hole (9) will accommodate a $1/4$ " or M6 screw. Alternatively, double sided adhesive tape or hook and loop fastener may be used.



Mounting Plate Holes

6. Adjust the mount to the desired position and tighten the *Positioning Screw* to lock the assembly in place.



Warning: Verify that the position of the mount and accessory will not interfere with proper operation of the vehicle.



Warning: Make sure all screws and nuts are securely tightened before each ride so that the assembly will not move during use.

Adaptiv Technologies

1639 11th Street
Suite 156
Santa Monica, CA 90404

www.AdaptivTech.com

866-ADAPTIV
(866-232-7848)
646-722-0253