

WALLE12

- mounted directly to a wall or ceiling
- 7 types of matching diffusers
- possibility of outdoor using (with D diffuser and waterproof LED strip)



special application



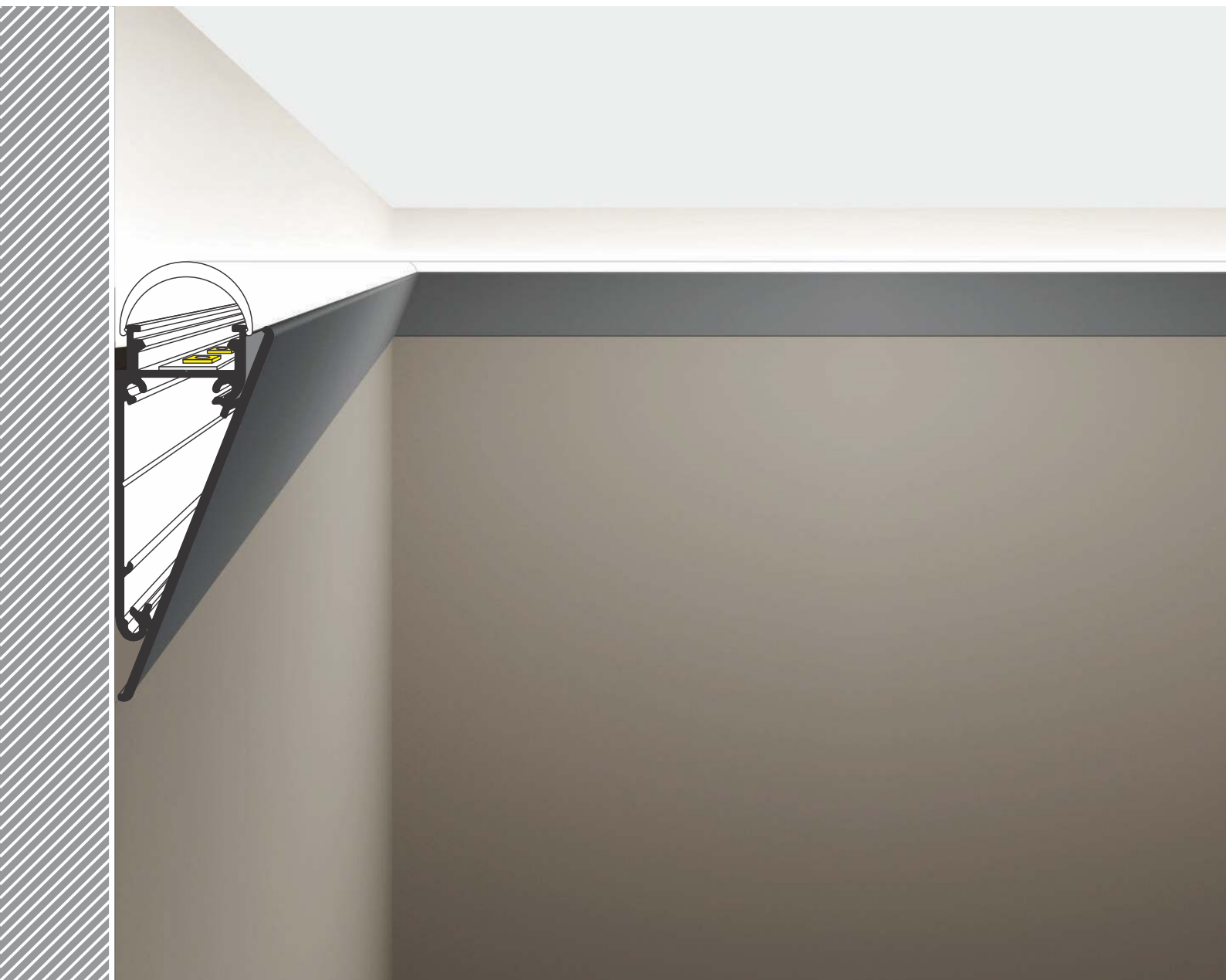
max 12 mm



architectural



more information

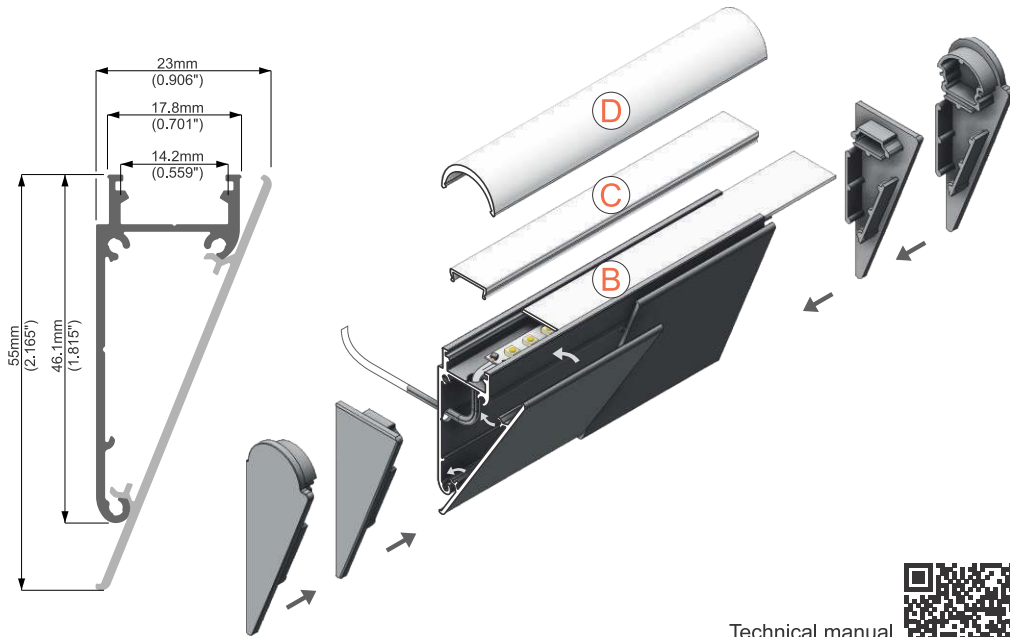


DISTRIBUTED BY



* Parameters tolerance +/- 7%

Wired 4 Signs USA +1 (865) 339 4956 info@w4susa.com www.w4susa.com 7669 Clinton Highway, Powell, Tennessee, 37849



- (D)** diffuser D click
- (C)** diffuser C click
- (B)** diffuser B slide

Technical manual



LED profile WALLE12



white painted



anodized



raw aluminium

cover WALLE12



white painted



anodized

1000 mm	LED-B8050001	LED-B8010020	LED-B8010000	LED-B8070001	LED-B8030020
2000 mm	LED-B8060001	LED-B8020020	LED-B8020000	LED-B8080001	LED-B8040020
3000 mm	LED-B8090001	LED-B8090020	LED-B8090000	LED-B8110001	LED-B8110020
4050 mm	LED-B8100001	LED-B8100020	LED-B8100000	LED-B8120001	LED-B8120020

end cap WALLE12



- white
LED-B8900001
- silver
LED-B8900040
- grey
LED-B8900022

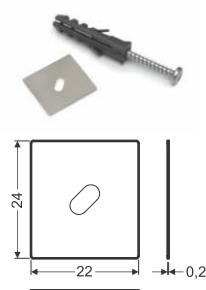
end cap WALLE12 D



- white
LED-B8890001
- silver
LED-B8890040
- grey
LED-B8890022

connector WALLE12 180 deg

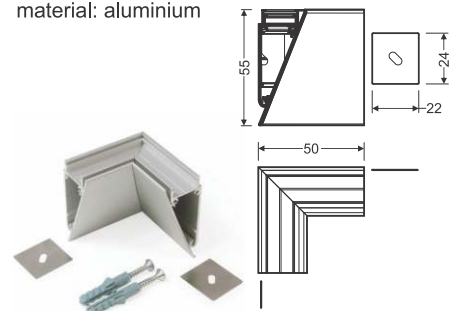
material: stainless steel



- inox
LED-B8950019

connector WALLE12 90 deg

material: aluminium



- white painted
LED-B8910001
- anodized
LED-B8910020

DISTRIBUTED BY



* Parameters tolerance +/- 7%

Wired 4 Signs USA +1 (865) 339 4956 info@w4susa.com www.w4susa.com 7669 Clinton Highway, Powell, Tennessee, 37849