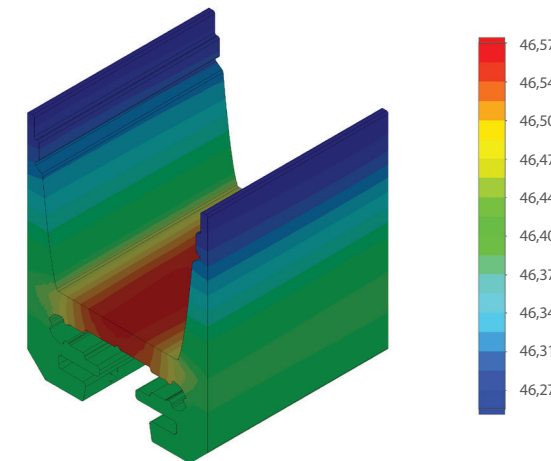
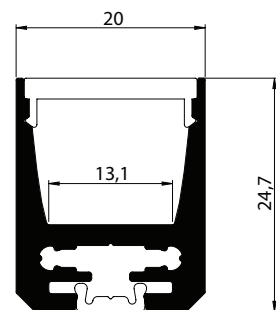


AL-SS20
AB-SS20
MC-SS20
AL-BA-TLESS

ALU SWISS 20 LED PROFILE

SWISS20; 20 x 24,7 mm

Small in dimensions but substantial in weight heat sink with great heat dissipation for mid power LEDs which is able to handle up to 22W/m of the LED power and maintain the temperature stable on the level of 47°C. Swiss 20 has multiple use functions, can be use as the surface profile, can be suspended also can be installed as the trimless. The new low light reduction diffusers are also LED's DOT's FREE and walk over safe. The profile can be also casted with the silicon and epoxy resin as the waterproof solution for wet environment. The heat dissipation as well as the light distribution was optimized for best performance and easy installation.



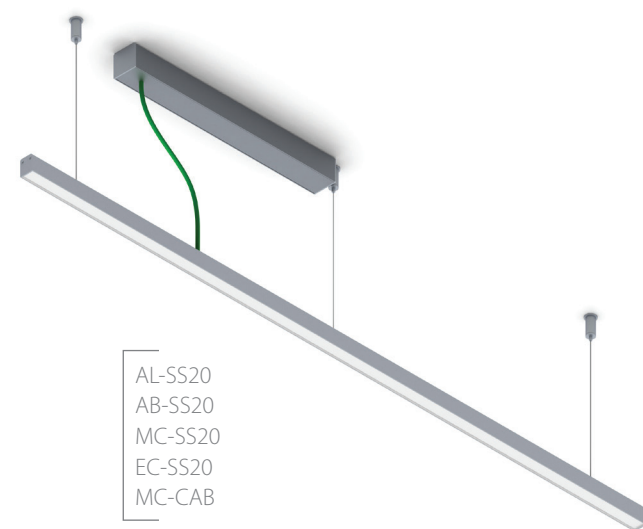
Temperature (Solid) [°C]

Temperature ambient: 25°C
Total power: 21,6 W/m (90LEDs)
LED stripe: 10-5060

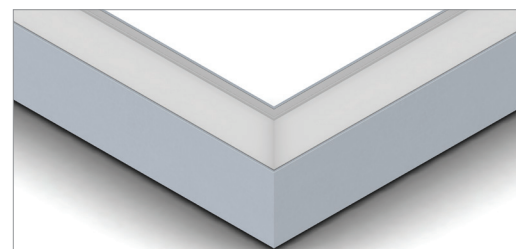


Mounting base
MC-SS20-MAG

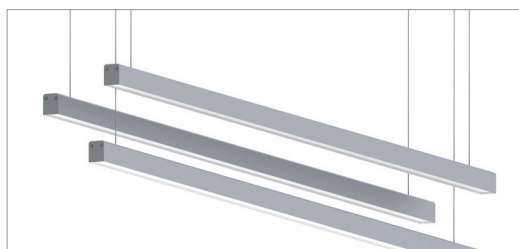
End Caps
EC-SS20



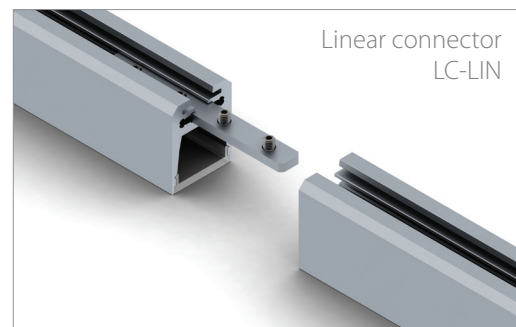
AL-SS20
AB-SS20
MC-SS20
EC-SS20
MC-CAB



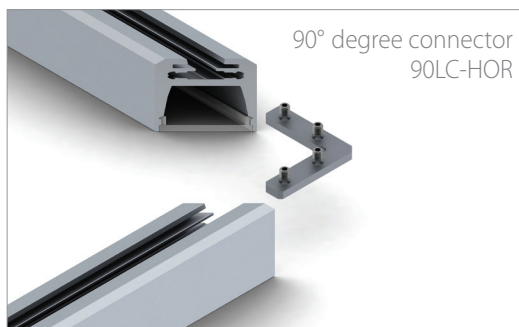
90° degree vertical Alu-Swiss connection



Suspended lamps, Swiss 20

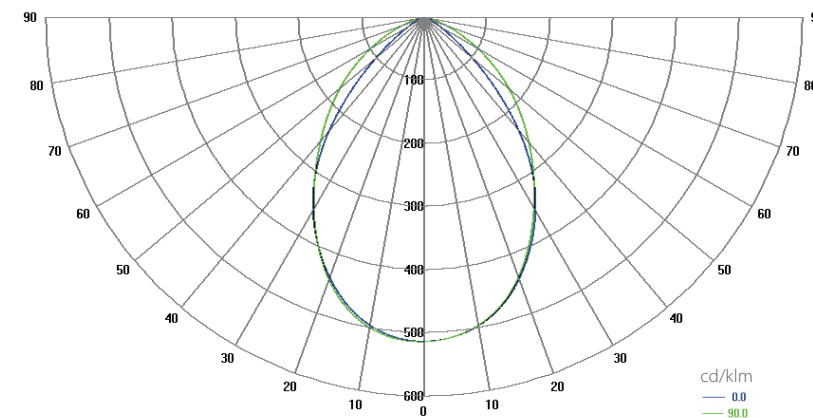


Linear connector
LC-LIN



90° degree connector
90LC-HOR

Polar Candela Distribution Plot
Using Missed Rays



AL-SS20
AB-SS20
MC-SS-BAS



AL-SS20
AB-SS20
MC-SS20
AL-BA-TLESS

