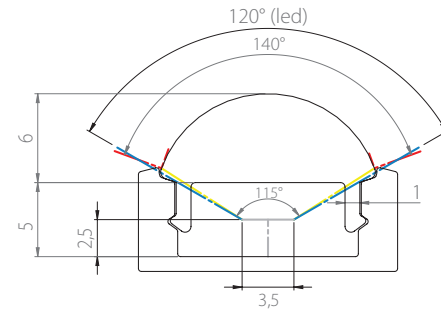


AL-SL7  
AB-SL7-L30  
EC-30SL7- H1,H2

### SLIM LINE 7 mm with optic lens 30°

SL7; 7 x 17,5mm

Slim Line 7mm LED prole with 30° optic lens,  
available with UV stabilized lens in mat  
or transparent nish.

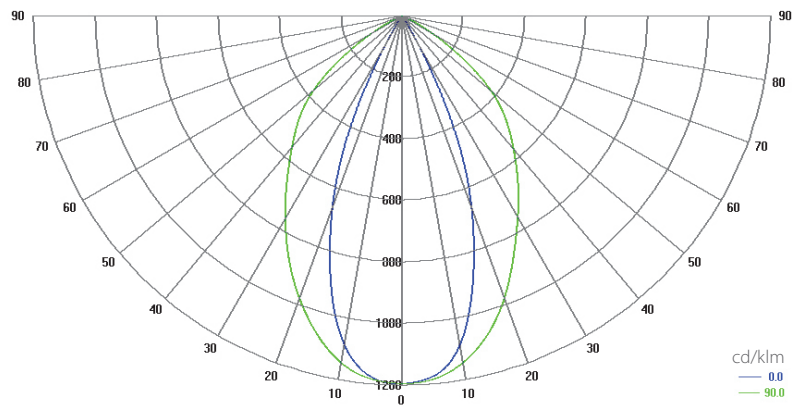


Aluminum End Caps  
EC-30SL7-H1, H2



AL-SL7  
AB-SL7-L30

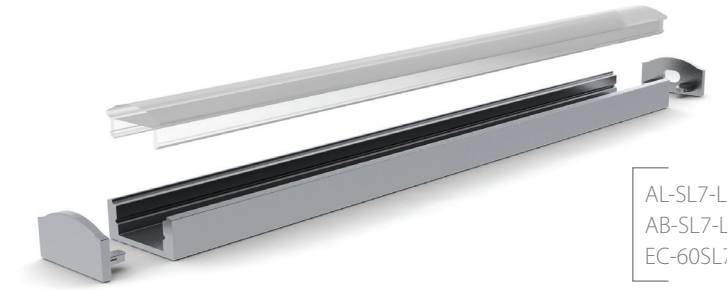
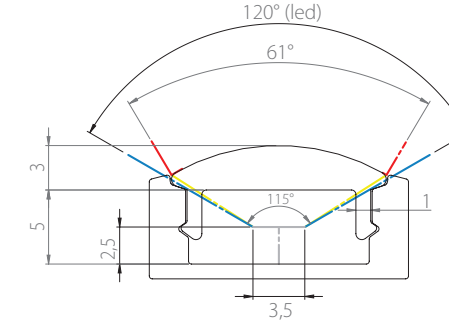
Polar Candela Distribution Plot Using Missed Rays



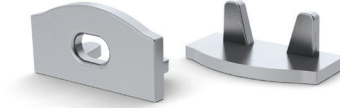
### SLIM LINE 7 mm with optic lens 60°

SL7; 7 x 17,5mm

Slim Line 7mm LED prole with 60° optic lens,  
available with UV stabilized lens in mat  
or transparent nish.



AL-SL7-L60  
AB-SL7-L60  
EC-60SL7-H1, H2



Aluminum End Caps  
EC-60SL7-H1, H2



AL-SL7  
AB-SL7-L60

Polar Candela Distribution Plot Using Missed Rays

