



EC-RSL15 End Caps

RECESSED SLIM LINE 15mm

RSL15; 15 x 24,5mm

ADVANTAGES:

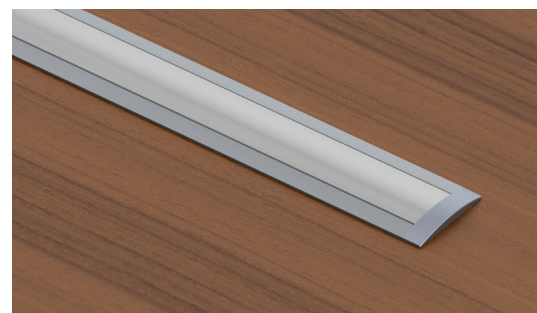
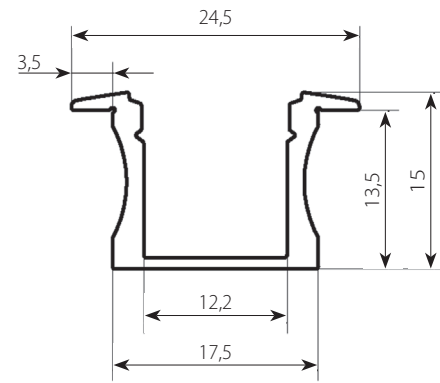
- High standard of anodizing aluminum surface
- High Quality UV resistant polycarbonate snap in diffuser
- Three different light diffusers to choice from, frosted (LEDs dots free), 50% frosted and transparent.
- Reduced light lost design
- Small dimensions only 15mm high
- Suitable for standard LED stripes up to 12mm of wideness
- Available on stock in anodized silver color
- Possible length and color customizing at MOQ
- Available with dedicated finish end caps
- Indoor use only, IP20

FEATURES:

- Nice looking, clean, contemporary housing for the LEDs
- LEDs heat sink housing and mechanical protection for the LED stripes against damage

APPLICATIONS:

- Recessed under kitchen cabinets LED lighting
- Floor led lighting (with IP54 led's)
- Recessed storage shelves LED lighting
- Gypsum ceiling, wall accent LED lighting
- Furniture production
- Exhibition boot LED lighting

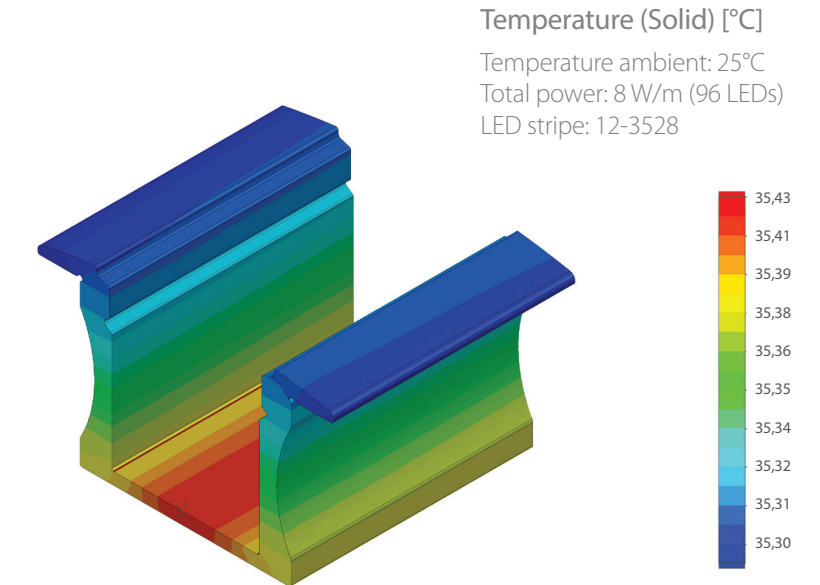


DESCRIPTION

RSL15 is "LEDs DOT's FREE" recess type of LED profiles which is dedicated for build in into the surface. The profile can be recessed into the wall, ceiling or floor (it is walk over safe). The profiles comes with choice of three different type of PC diffusers with different light reduction, frosted, 50% frosted and transparent. The polycarbonate raw material used for production of them is UV stabilized. Aluminum high density body provide excellent heat dissipation to the LEDs extending they life time due lower operating temperature. Profile comes with dedicated aluminum end caps which matching with the color of the profile.



RSL15 ANALYSES



Polar Candela Distribution Plot Using Missed Rays

