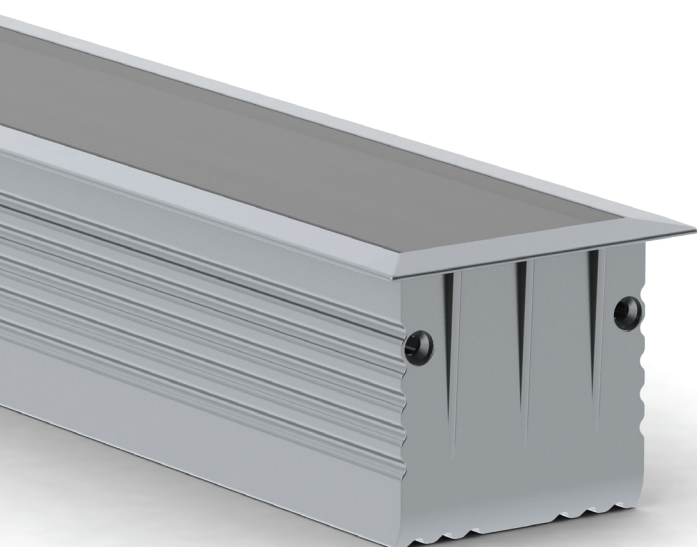


AL-RPLA
AB-PL
MC-RPLA



AL-RPLA
AB-PL
EC-RPLA



RECESSED POWER LINE 35mm

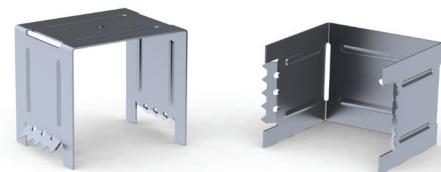
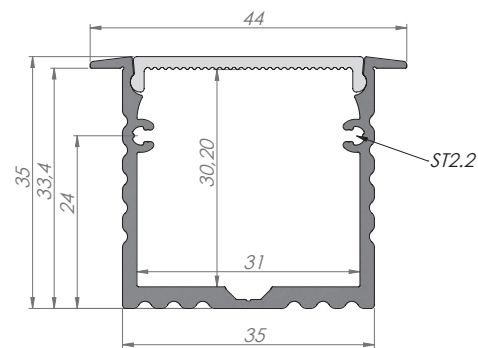
RPLA; 35 x 35mm

FEATURES:

- High quality polycarbonate diffuser
- No LED dots shows on the diffuser surface
- Right high, soft and smooth light diffusion
- Diffuser is placed/removed from the top on click
- High quality anodized aluminum base
- Heavy duty "heat sink" for high power LEDs
- Compatible with our 30mm wide high power LED bars
- Matching finish end cups for this profile are available
- Gypsum ceiling installation
- Available in length of 1m, 2m or 3m with clear or frosted diffuser

APPLICATIONS:

- Show rooms ceiling LED lighting
- Restaurants ceiling LED lighting
- Shopping malls LED lighting



MC-RPLA
Mounting Bracket



EC-RPLA
End Caps

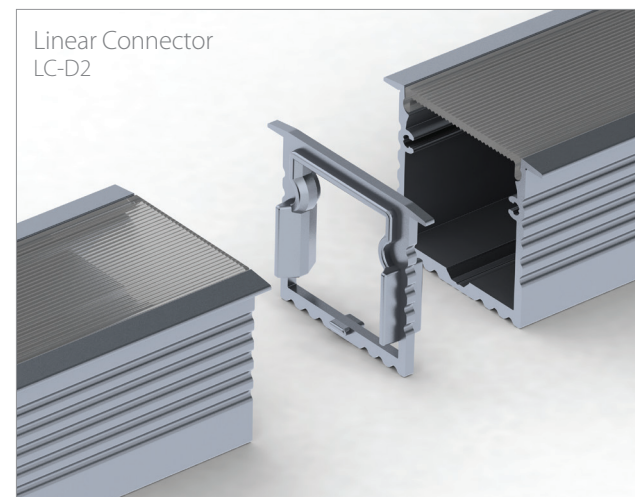


LC-RPLA
Linear Connector

DESCRIPTION

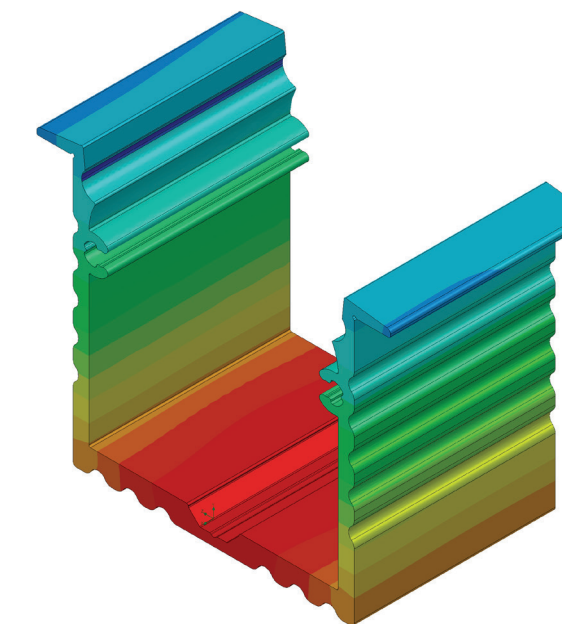
RPLA profile is recess version of profile dedicated for build into the gypsum ceiling, wall or any other surface. It is considerable as the main source of light due the high load capability and very good heat dissipation.

The body of the profile is made from pure high density aluminum which been anodized for protection against corrosion. The heat dissipation of this model is on level of 36W/m@25°C Ta. The profile pass the load tests of 36W/m and maintain the temperature stable of 50/51°C over the time. This popular model is equip with many dedicated aluminum accessories such as, rigid 30-Duris rigid LED PCB, aluminum linear connectors, aluminum end caps, mounting bracket and large varieties of light diffusers. PLA profile is available on stock in lengths of 1/2/3m in large quantity.



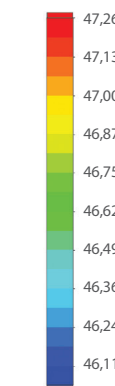
Linear Connector
LC-D2

RPLA ANALYSES



Temperature (Solid) [°C]

Temperature ambient: 25°C
Total power: 36 W/m (72 LEDs)
LED stripe: 30-DURIS



Polar Candela Distribution Plot Using Missed Rays

