

Power Track TWIST

2-wire, low voltage,
furniture oriented power track

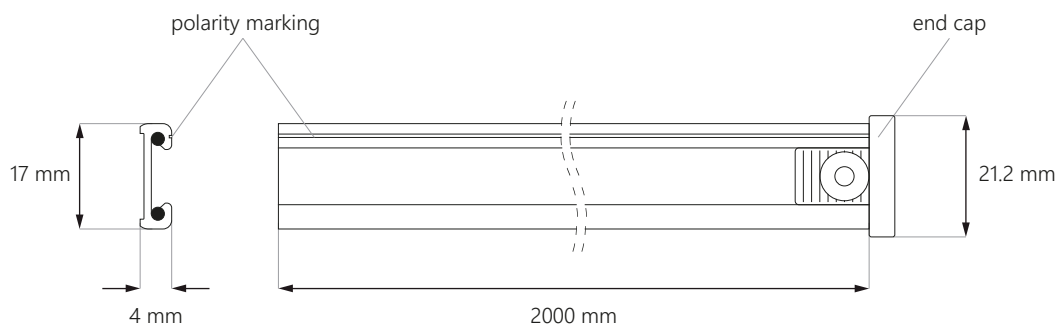


12V 24V
DC DC

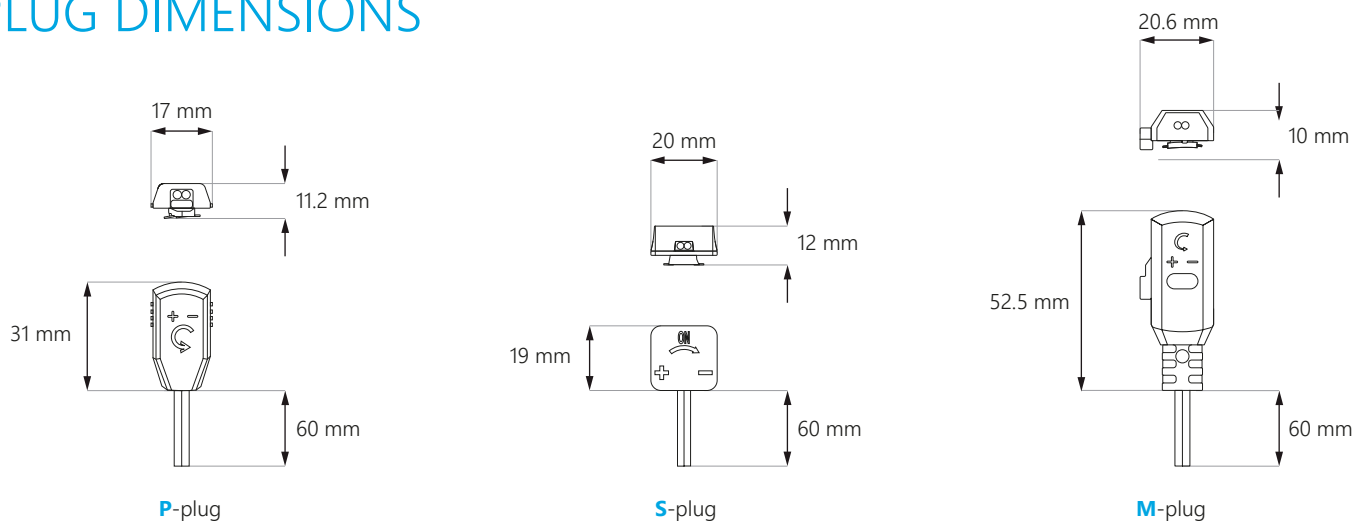
 2m

IP20

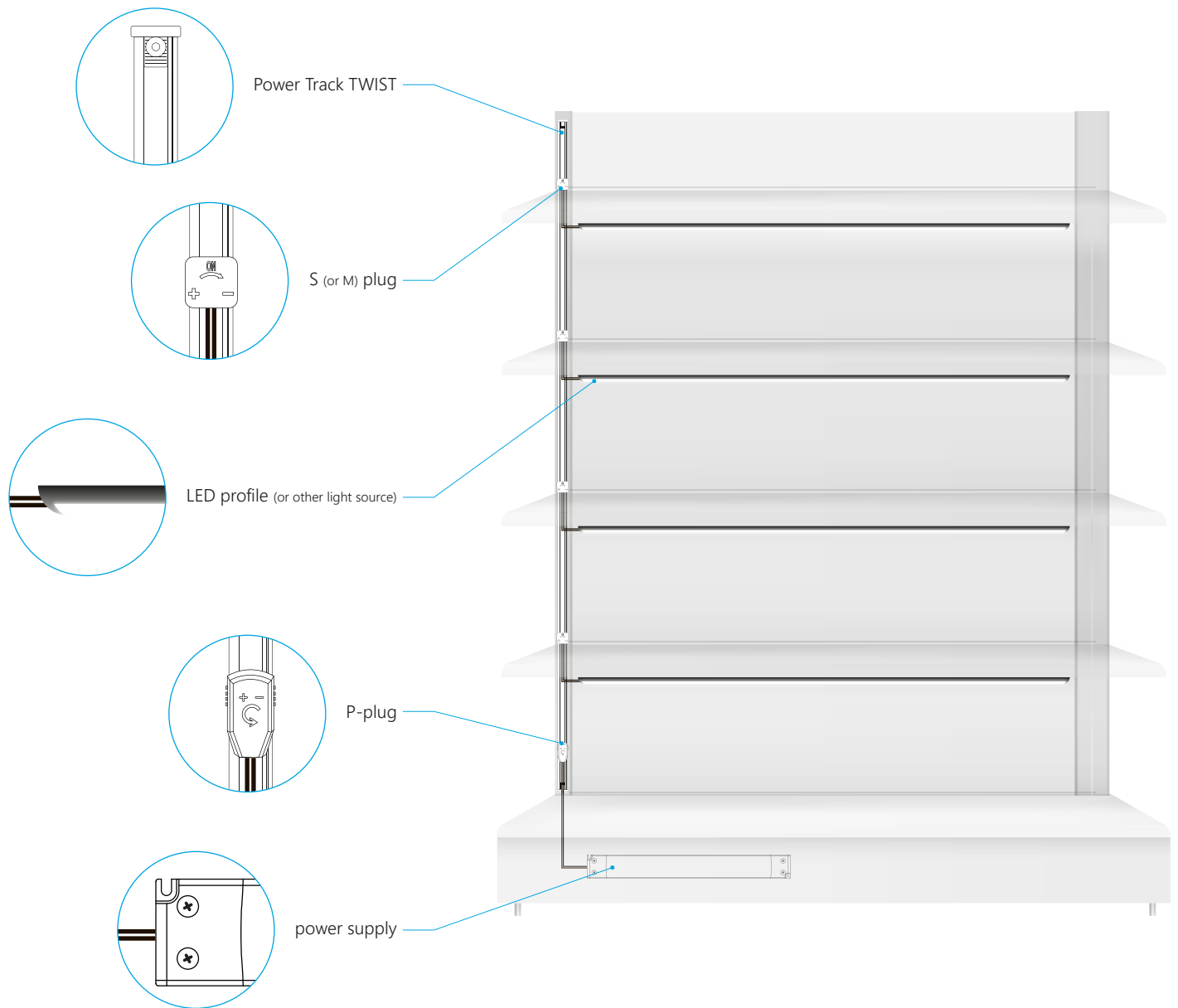
TRACK DIMENSIONS



PLUG DIMENSIONS

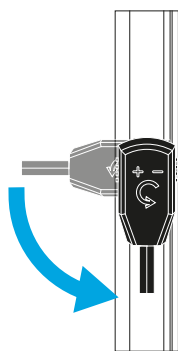


CONNECTION DIAGRAM OF POWER TRACK WITH LED PROFILE

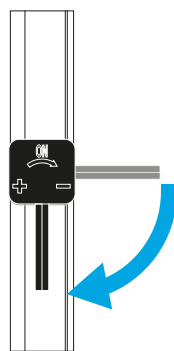


PLUG ASSEMBLY

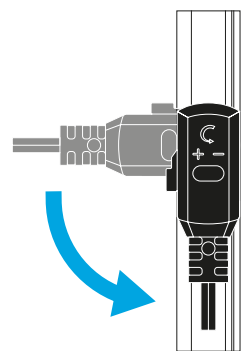
push in and turn in the correct direction



P-plug



S-plug



M-plug

TECHNICAL DATA

Input Voltage	12V/24V DC
Max. electrical load capacity	115 W
Dimensions (L x W x D)	2000 x 17 x 4 mm
Colour	white black
Material	PVC + copper
Installation	magnetic tape* double-sided duct tape* screws*
IP Rating	IP20
Compliance with	LVD / RoHS III / WEEE
Includes	the 2 m long power track is sold already with end caps installed at both ends; in the case of cutting and shortening the power track, additional end caps can be purchased

* not include

ACCESSORIES



- **additional** end caps
- **2 pcs** for 2 m long track
- two colors: **white or black**



- **P plug** with cable
- two colors: **white or black**
- length **60 cm**
- 20AWG (\varnothing 0.5 mm²) | 5A



- **S plug** with cable
- two colors: **white or black**
- length **60 cm**
- 22AWG (\varnothing 0.35 mm²) | 2,5A



- **M plug** with cable
- two colors: **white or black**
- length **60 cm**
- 22AWG (\varnothing 0.35 mm²) | 2,5A



- **magnetic** tape
- sold in reels of **50 m**

DOWNLOAD

EU Declaration of Conformity

<https://www.epiled.pl/download/deklaracje/eu-declaration-of-conformity-power-tracks.pdf>

© 2023, epiLED. All rights reserved. Data is subject to change without notice. | Rev.: 2306

ul. Stanisławowska 27, 54-611 Wrocław • Poland • info@epiLED.pl • www.epiLED.pl