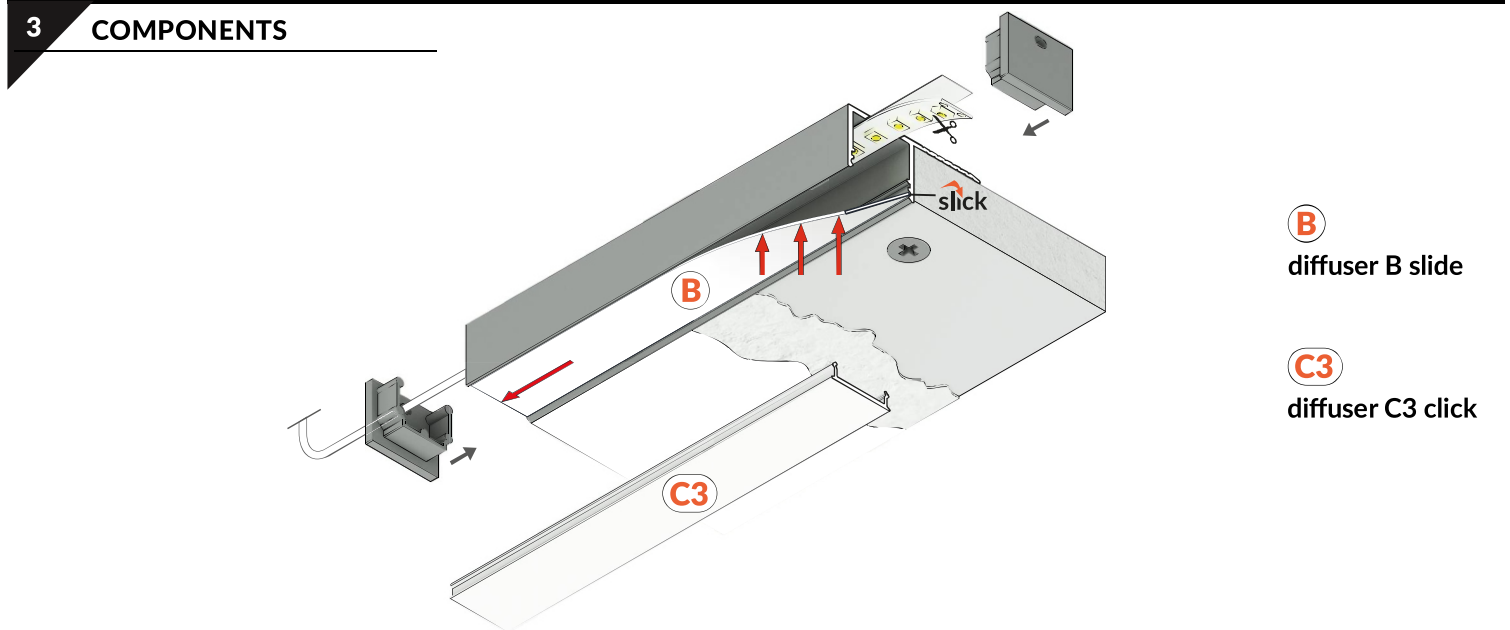
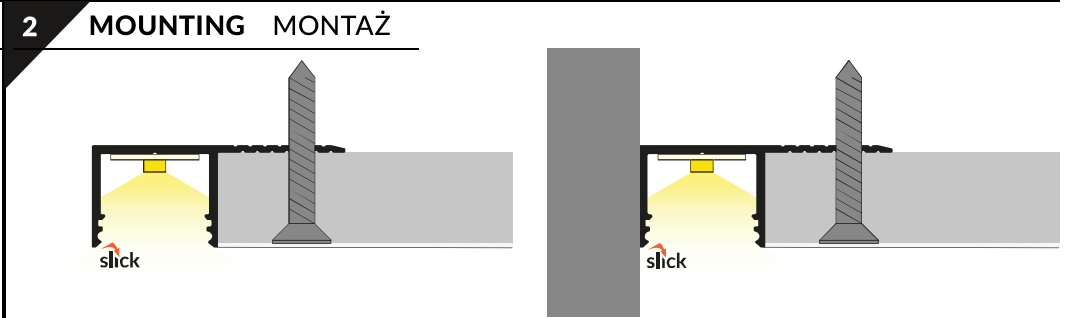
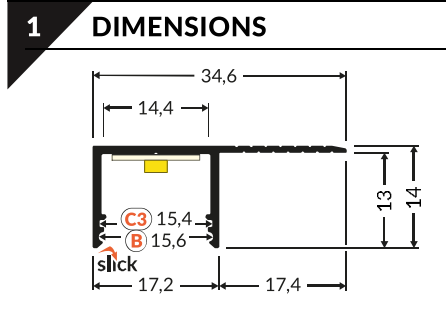


PLANE14 SIDE BC3

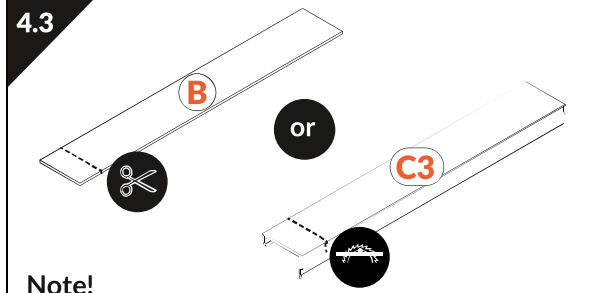
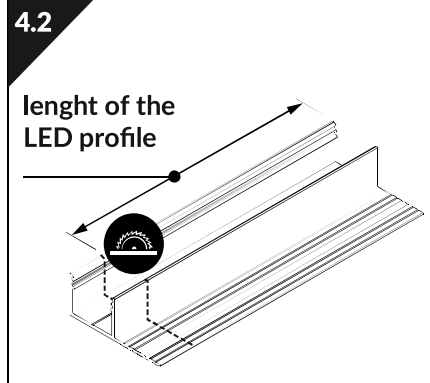
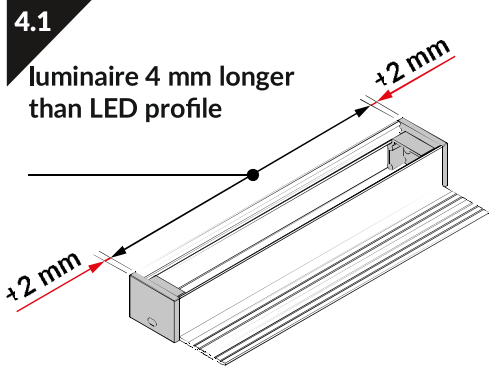


- max 14 mm
- plaster-in
- architectural



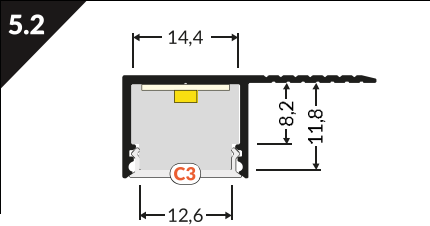
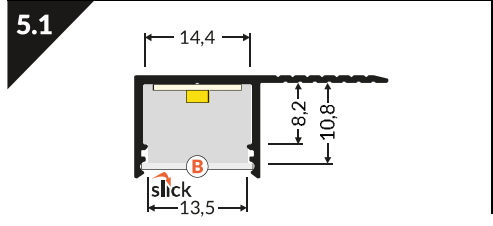
- scissors
- saw
- pliers
- solder
- soldering iron
- screwdriver
- drill
- spatula
- painting roller

LENGTHS

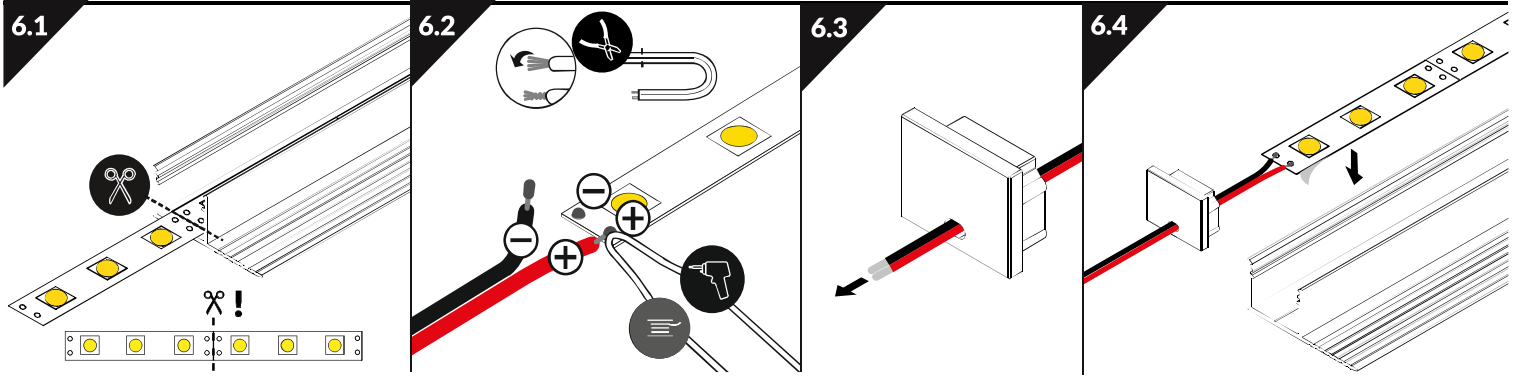


Note!
Due to the thermal expansion of the material we recommend cutting the diffuser at least 1 mm shorter depending on various factors (e.g. power of source, room temperature).

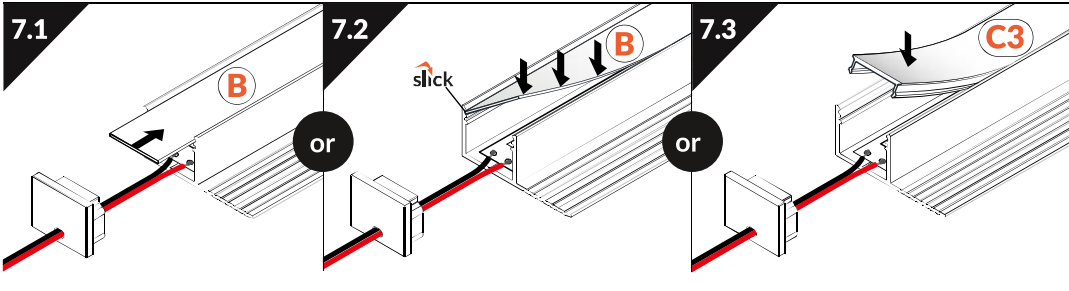
DIMENSIONS OF THE SPACE TO INSTALL LED SOURCE



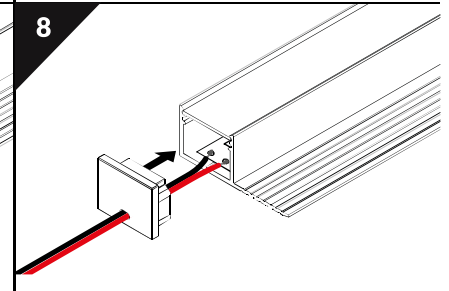
MOUNTING OF THE LED SOURCE /



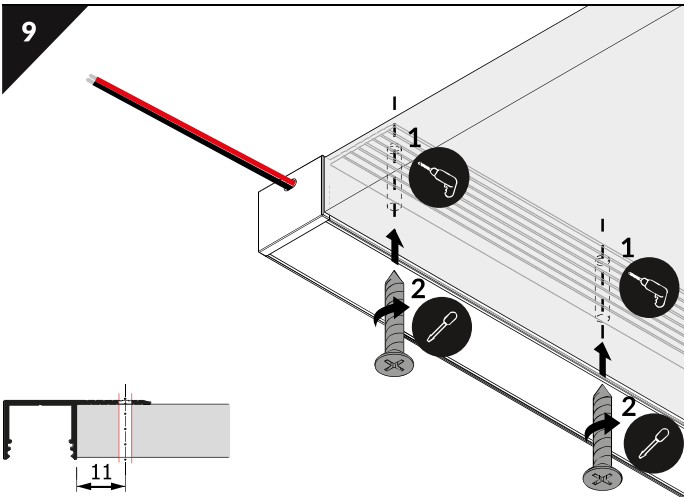
MOUNTING OF THE DIFFUSERS



MOUNTING OF THE END CAPS

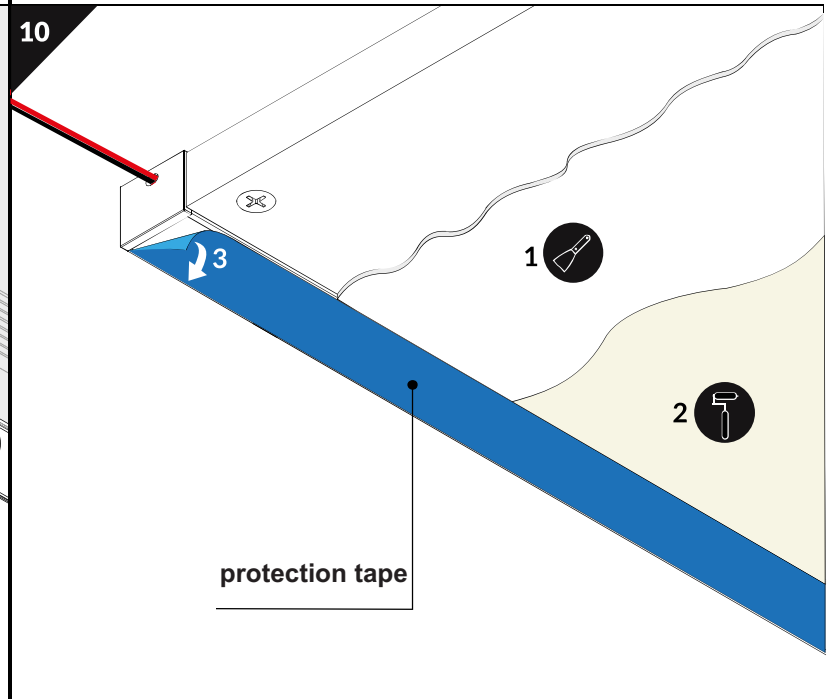


ASSEMBLY OF THE PROFILES IN THE PLASTERBOARD, DRILLING AND SCREW-FIXING



Recommended use of screws for plaster-cardboard
Recommended screws spacing 50 cm

FINISHING OF THE ASSEMBLY SURFACE WITH FILLER AND PAINT



11 POWER SUPPLY /

