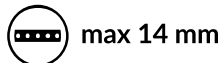
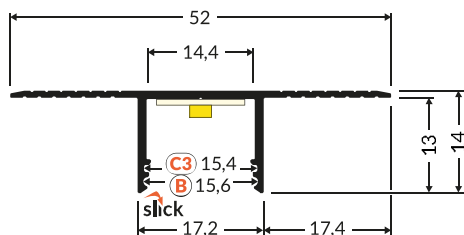


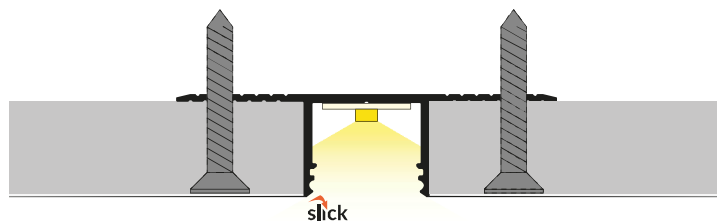
PLANE14 IN BC3



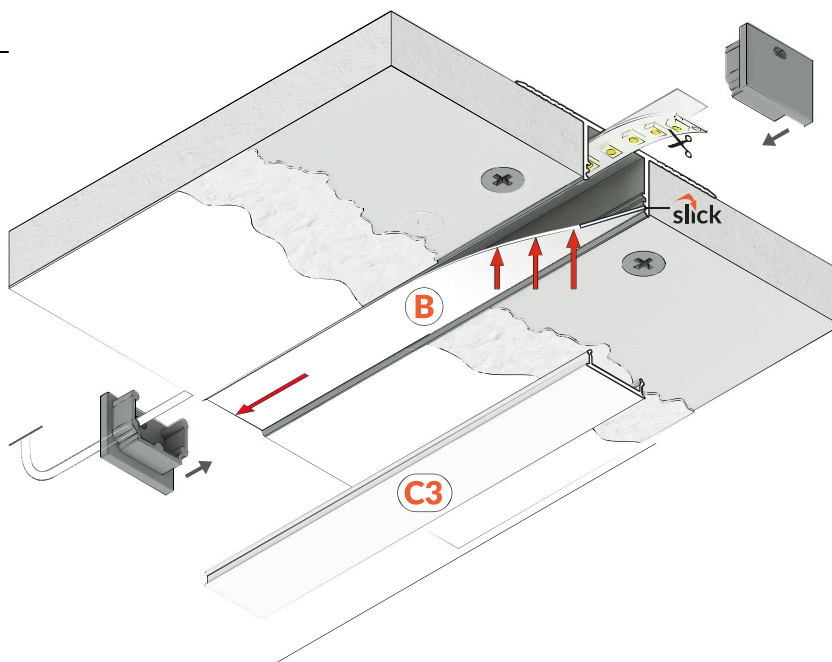
1 DIMENSIONS



2 MOUNTING



3 COMPONENTS

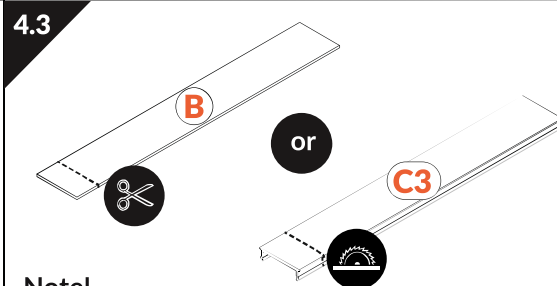
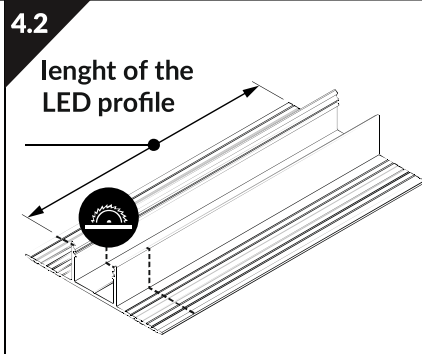
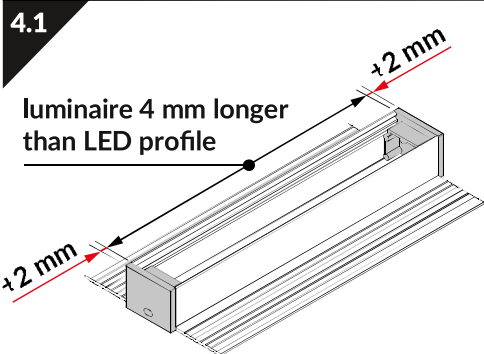


B
diffuser B slide

C3
diffuser C3 click

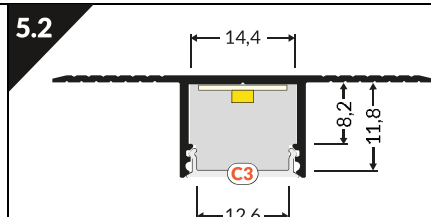
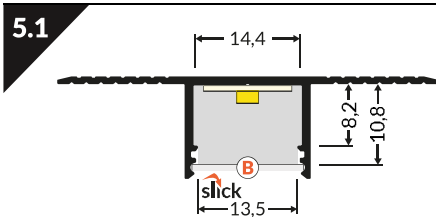
- scissors
- saw
- pliers
- solder
- soldering iron
- screwdriver
- drill
- spatula
- painting roller

LENGTHS

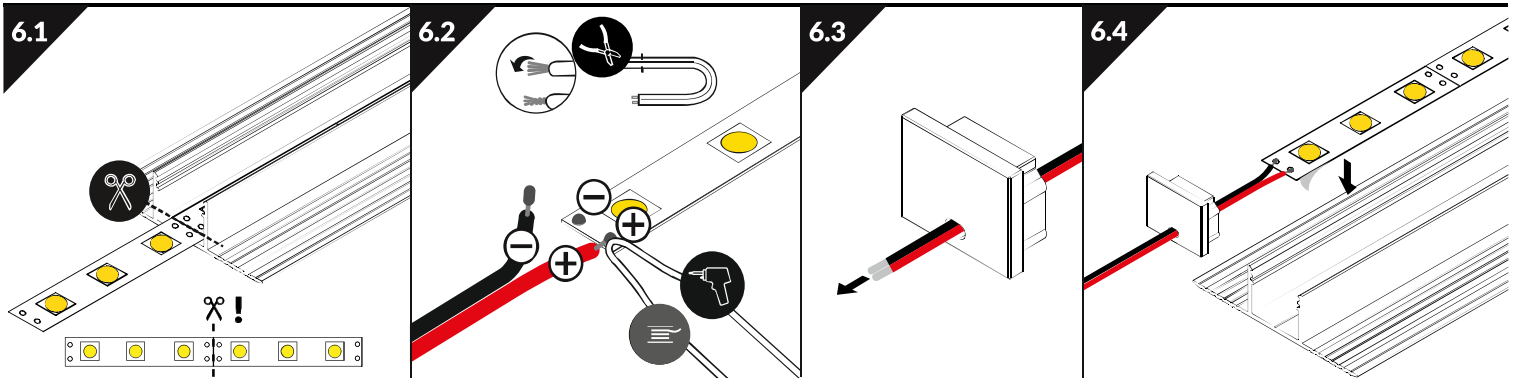


Note!
Due to the thermal expansion of the material we recommend cutting the diffuser at least 1 mm shorter depending on various factors (e.g. power of source, room temperature).

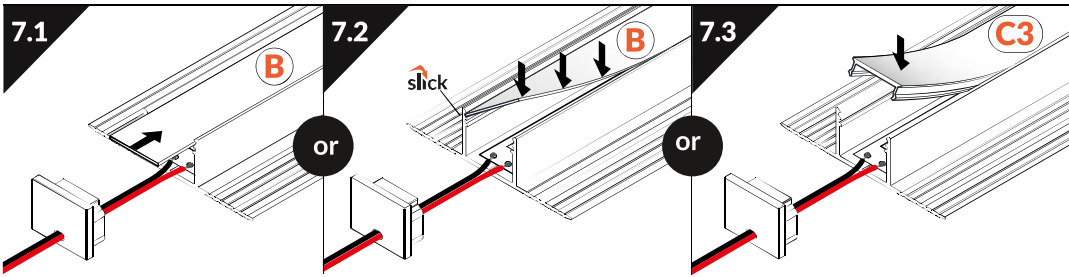
DIMENSIONS OF THE SPACE TO INSTALL LED SOURCE



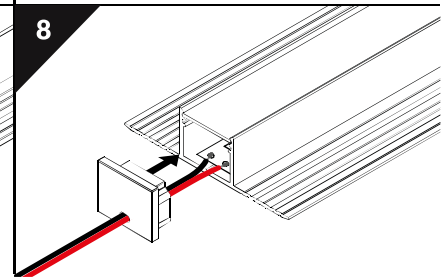
MOUNTING OF THE LED SOURCE



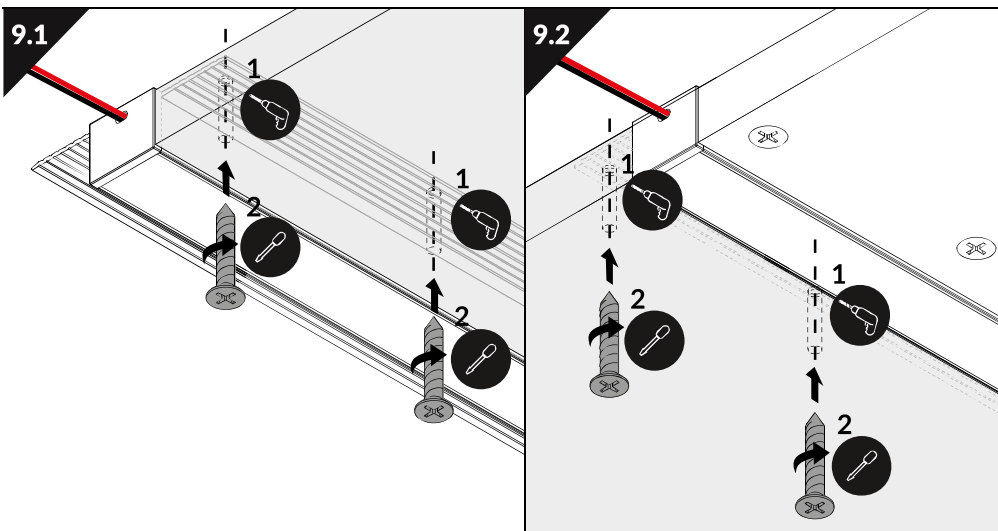
MOUNTING OF THE DIFFUSERS



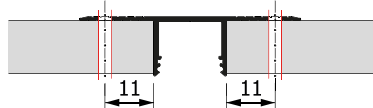
MOUNTING OF THE END CAPS



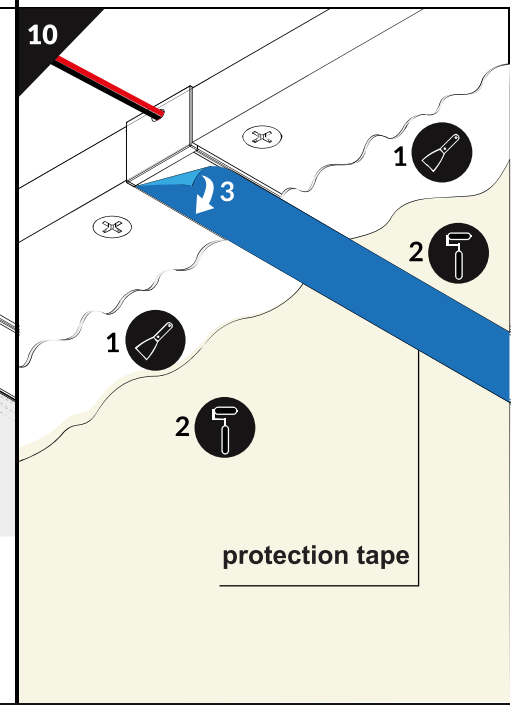
ASSEMBLY OF THE PROFILES IN THE PLASTERBOARD, DRILLING AND SCREW-FIXING



Recommended use of screws for plaster-cardboard
Recommended screws spacing 50 cm



FINISHING OF THE ASSEMBLY SURFACE WITH FILLER AND PAINT



11 POWER SUPPLY / ZASILANIE

