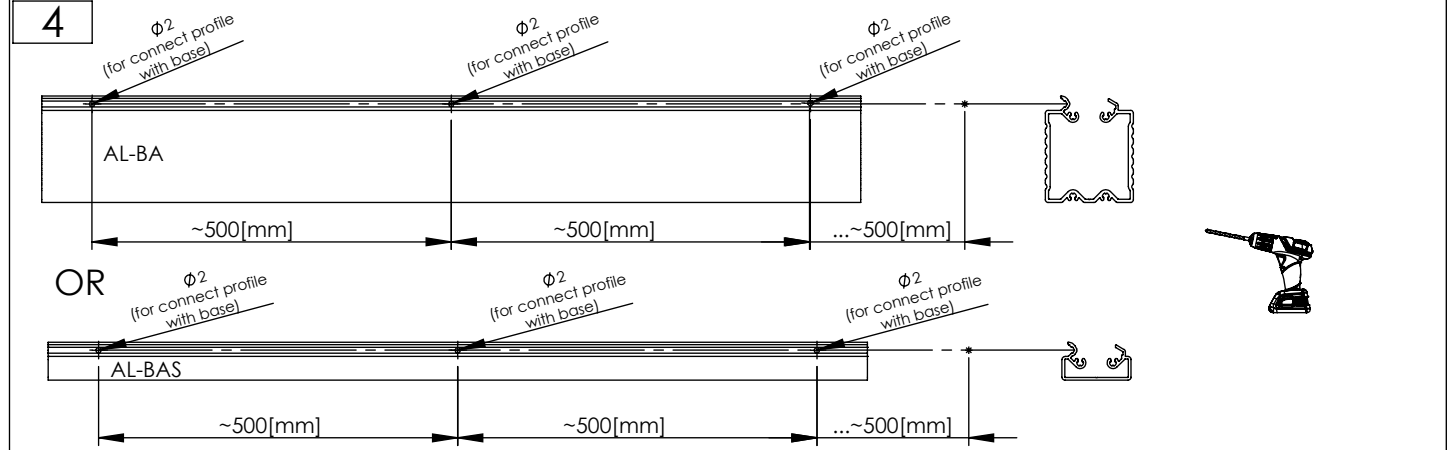
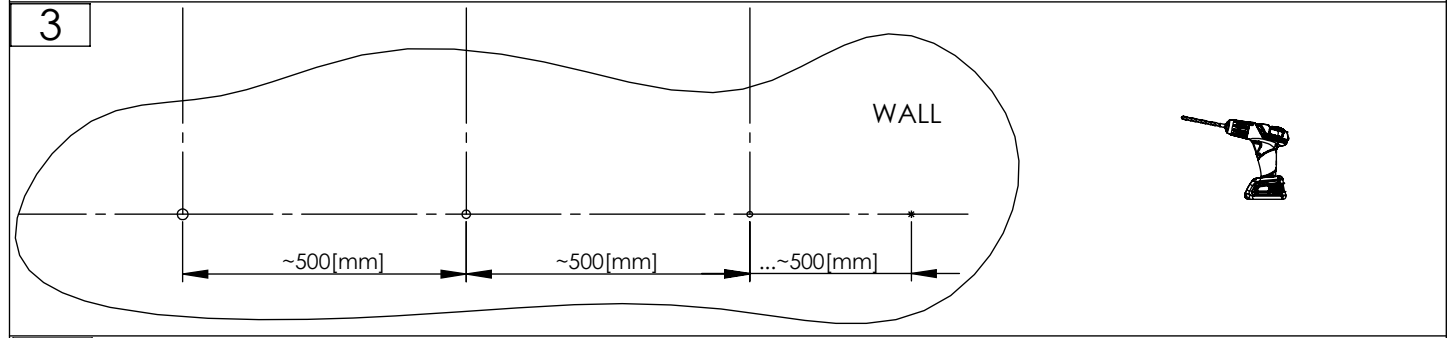
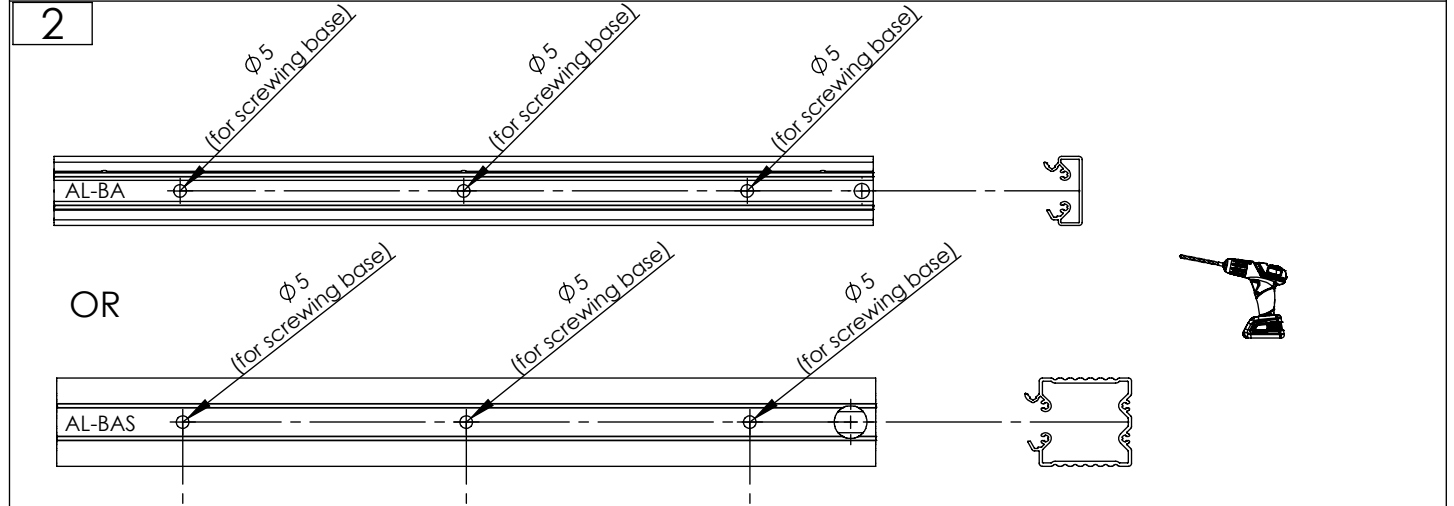
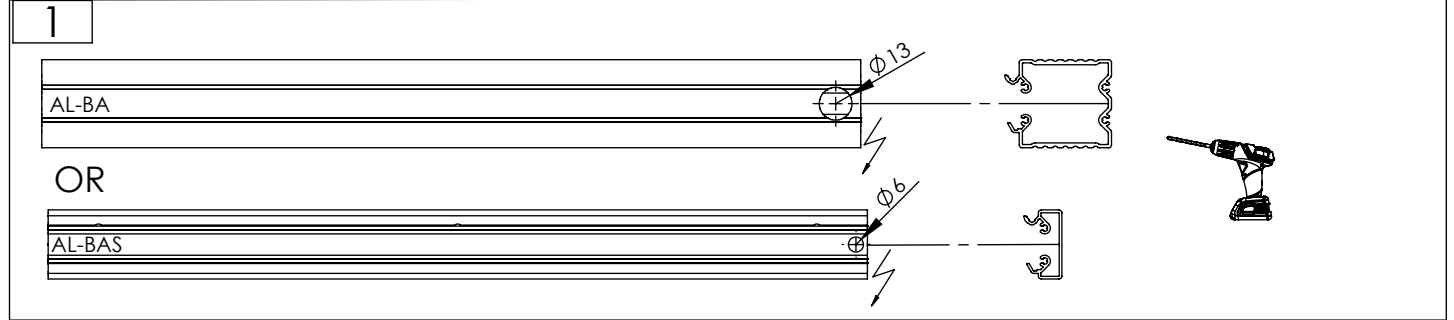
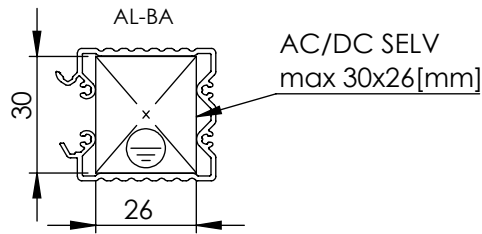


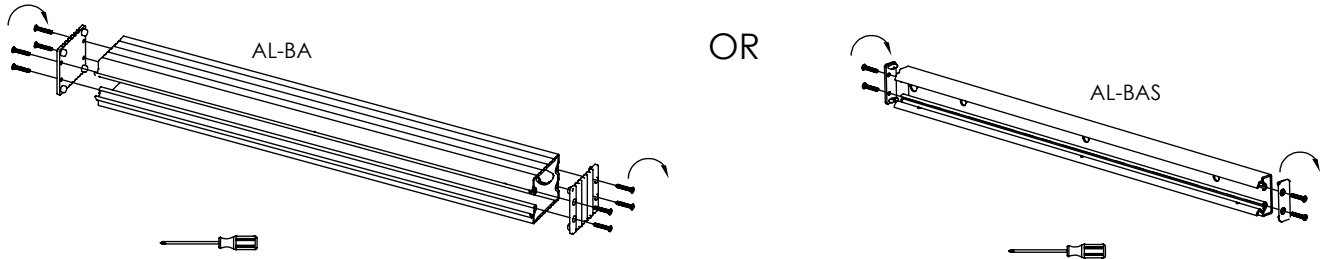
PL35 ONE SIDE LIGHT OUTPUT		Tabela LM		
Nr	Code	Comments	Quantity	
1	AL-PL35S	1 or 2[m]	1	
2	EC-PL35S-L	left end cap	1 per 1 luminaire	
3	EC-PL35S-R	right end cap	1 per 1 luminaire	
4	DIN 7982 ST2.2x13		2 per 1 end cap and 4 per end cap for AL-BA/BS	
5	AB-PL-K/M	diffuser 1 or 2[m]	1	
6a	AL-BA	base for power supply 1 or 2[m]	1	
6b	AL-BAS	small base 1 or 2[m]	1	
7a	EC-BA-H1	end cap for AL-BA	2 per 1 luminaire	
7b	EC-BAS	end cap for AL-BAS	2 per 1 luminaire	
8	DIN 7982 ST2.2x9,5	for mounting profile on base	1 per 0,5[m]	
9	12x300 PCB with 3528 LEDs	LED		



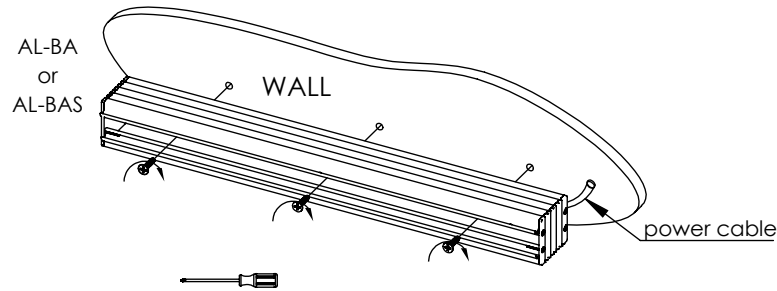
5



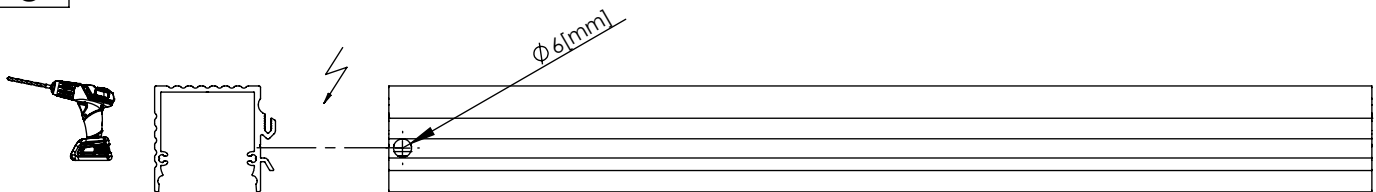
6



7



8



9

Use thermally conductive tape

