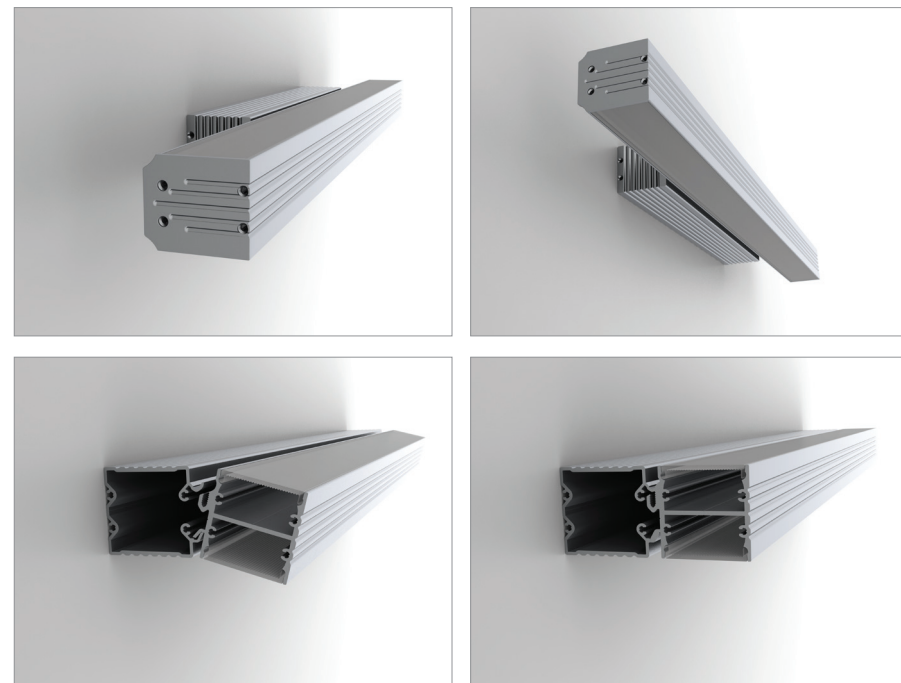
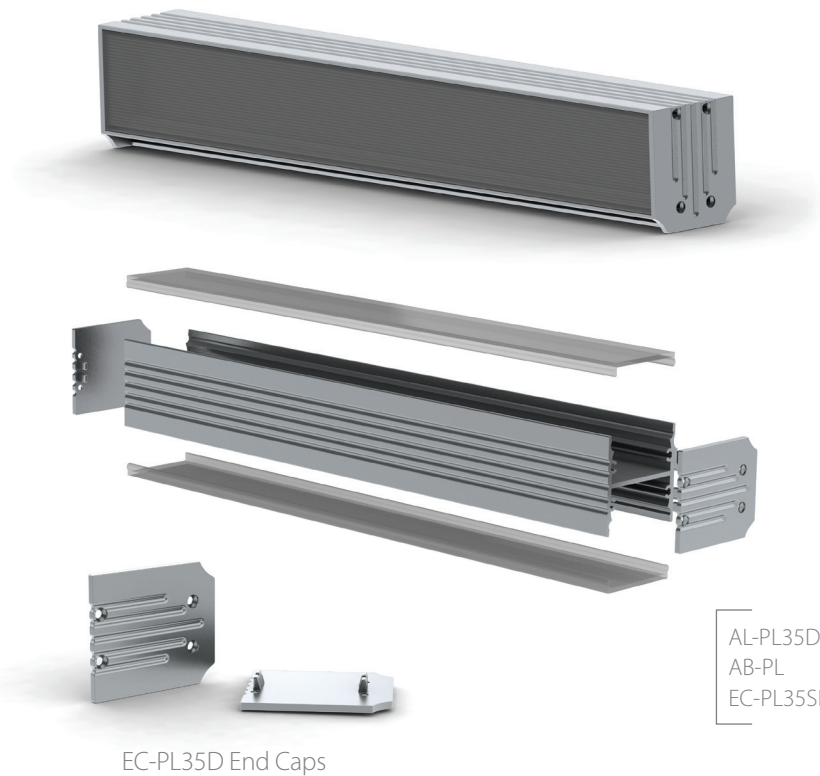
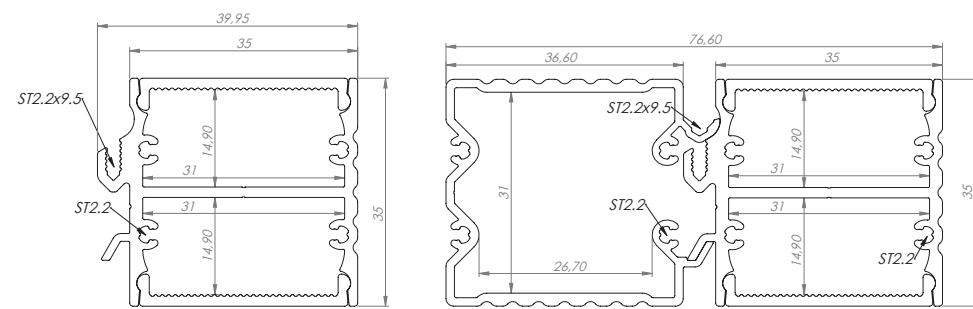


PL35 TWO SIDE LIGHT OUTPUT

PL35D 76,6mm x 35mm with the power supplying hiding base

FUTURES:

- Two ways light output of the Wall LED lamp with hiding base for power supply
- Modern design with all matching components
- High standard of the aluminum anodizing surface
- Sanp in frosted UV resistant diffuser
- High power heat dissipation capability up to 30W/m
- Firm connection of the base with the wall and base with the profile
- Aluminum end caps

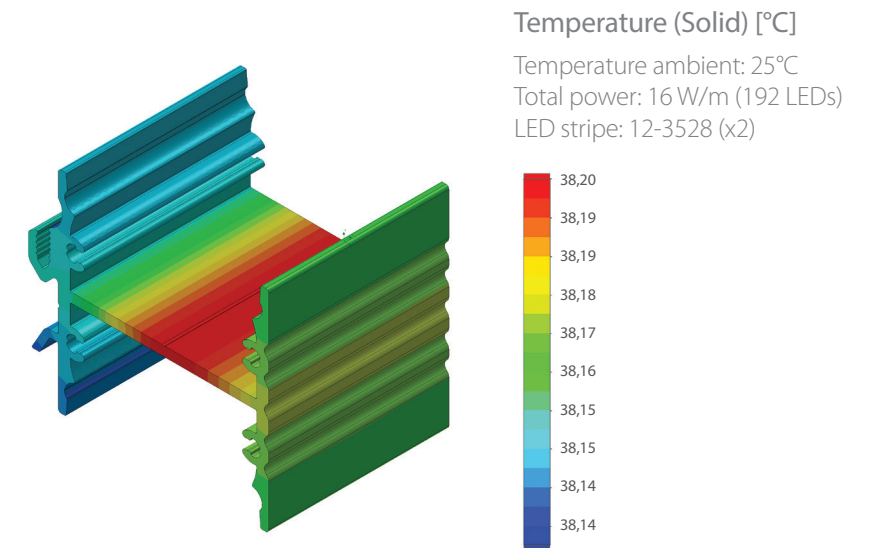


DESCRIPTION

This is wall installed LED profile with light directed up and down. It is modification of our popular Power Line 35 profile. The design, diffusers remain the same like at the PL35 profile. The PL35 two side light up and down was equipped with the hiding base for the power supplier. Hiding base is matching the profile design, is made from the aluminum and screw it directly to the surface. Base is connected mechanically with the lighting profile by a few self thread screws ST2,2x9,5mm. Additionally the base and lighting profile is coming with the aluminum, end caps holds by two screws ST2,2mm. The profile and the base is sale separately as well as the end caps. The profile is dedicated mostly for the high power LED lighting with the possible load up to 30W/m.



PL35_DOUBLE ANALYSES



Polar Candela Distribution Plot Using Missed Rays

